



F R A S E R
W O O D S I D I N G™

Exceptional Beauty. Uncompromised Quality.

TECHNICAL BINDER



FRASERWOODSIDING.COM



Exceptional Beauty. Uncompromised Quality.

REFERENCE & PRODUCT MANUAL & GUIDE

3 About Fraser Wood Siding

4 Our Products

- 5 Factory Stained Siding
- 7 Designer Shingles
- 8 Factory Stained Shingles
- 8 Estate Series
- 9 Mouldings & Trim

10 General Specifications

- 10 Classic Series
- 11 Evolution Series

12 Product Warranties

35 Nails & Accessories

37 Technical Information

- 38 Siding Installation
- 50 Shingle Installation
- 54 Technical Drawings
- 71 Sidings & Trims - Reference Sheet
- 72 6" Vented Soffit
- 74 Conversion Table & Nails



Exceptional Beauty. Uncompromised Quality.

ABOUT FRASER WOOD SIDING

Fraser Wood Siding provides its customers with the highest quality, Canadian-made siding and shingles. Our craftsmen bring decades of experience so you can rest assured that your home is protected by the best quality wood and manufacturing. Our products are natural, versatile and highly customizable.

Our siding is made from Canadian softwood, sustainably harvested from 100% PEFC certified forests in British Columbia. We take this high quality wood and manufacture it with precision so it lasts for decades, giving you a strong and stable wood that will protect your home from the outside in.





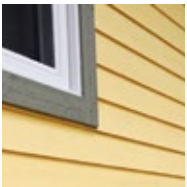
Exceptional Beauty. Uncompromised Quality.

OUR PRODUCTS



Factory Stained Siding

Combining the natural beauty of wood with state-of-the-art technological advances, making it your ideal choice for beauty, durability, and design flexibility.



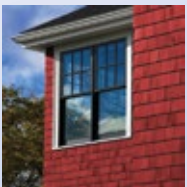
Evolution Series

Offering a tongue and groove design that incorporates end matching, this system eliminates face nails and significantly reduces installation time.



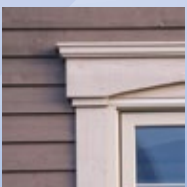
Designer Shingles

Cedar shingles are available in a broad range of designer shapes that compliment an architectural or aesthetic design.



Factory Stained Shingles

Superior protection against the elements in a rainbow of colours, or a classic weathered look.



Mouldings & Trim

A perfect compliment to our siding and shingles. Our full range of mouldings is available in a variety of colours that add harmony to any home's design.

Exceptional Beauty. Uncompromised Quality.

Factory Stained Premium Wood Siding

Fraser Wood Siding has been one of North America's foremost manufacturers of quality wood siding and cedar shingles for more than 20 years. The quality of Fraser Wood Siding is second to none. This exceptionally high standard is achieved by sourcing only the best quality raw materials, grading and inspecting the product multiple times, enhancing it to bring out its natural beauty with state of the art milling technology coupled with Sherwin-Williams next generations of urethane-based performance coatings.

Fraser Wood Siding's natural beauty and design versatility will add value to any project. That, combined with Fraser Wood Siding's exceptional durability will help you maintain the value of your wood investment for many years to come. The final product speaks for itself and Fraser Wood Siding stands behind it with an industry leading warranty.



CLASSIC SERIES

Fraser Wood Siding's classic series offers all profiles and sizes in a shiplap design. Classic series offers exceptionalities with the proven longevity of Factory Finish. 5

6" Profiles:



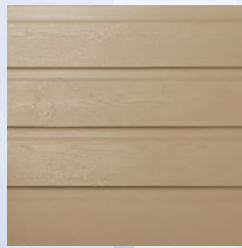
Bevel

6" Profile in Pepperwood



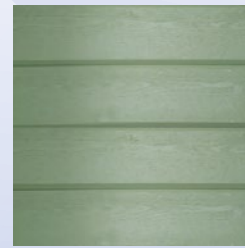
Cove

6" Profile in Federal Blue



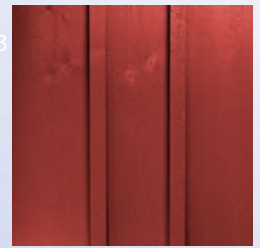
Channel

6" Profile in Beachgrass



V-Joint

6" Profile in Green



Board & Batten

10" Profile in Indian Corn 7

8" Profiles:



NEO



Euro-V

Inspired by our Evolution Series profiles, Fraser is proud to introduce 2 new **8" profiles** to our Classic Series! 8" profiles are a great choice for any home as they create a more substantial look with deeper shadow lines.

- Modern, updated profiles; same consistent quality
- More substantial look
- Deeper shadow lines
- Suitable for homes of any size
- Can be installed vertically or horizontally

Profile Options:

Classic • Evolution ✦

	1"x4"	1"x6"	1"x8"	1"x10"
1 - Cove		•	•	
2 - V-joint	•	•		
3 - Channel		•	•	
4 - Clapboard		•		
5 - Bevel	•	•*	•	
6 - Board & Batten			•	•
7 - Neo		•*	•	
8 - Euro-V		•*	•	

Factory Stained Premium Wood Siding

Fraser Wood Siding has been one of North America's foremost manufacturers of quality wood siding and cedar shingles for more than 20 years. The quality of Fraser Wood Siding is second to none. This exceptionally high standard is achieved by sourcing only the best quality raw materials, grading and inspecting the product multiple times, enhancing it to bring out its natural beauty with state of the art milling technology coupled with Sherwin-Williams next generations of urethane-based performance coatings.

Fraser Wood Siding's natural beauty and design versatility will add value to any project. That, combined with Fraser Wood Siding's exceptional durability will help you maintain the value of your wood investment for many years to come. The final product speaks for itself and Fraser Wood Siding stands behind it with an industry leading warranty.



EVOLUTION SERIES

Fraser Wood Siding's newest offering offers a tongue and groove design that incorporates end matching. This system all but eliminates face nails and significantly reduces installation time.

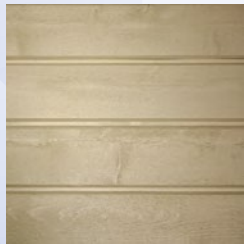
Profiles:



Bevel
6" Profile in Light Blue



NEO
6" Profile in Plummet



Euro-V
6" Profile in Fawn



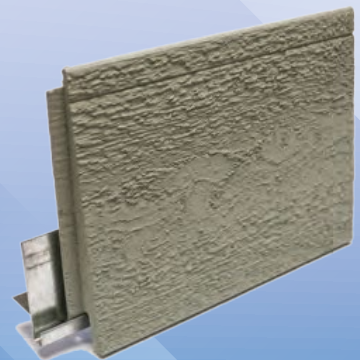
By using FRASER-LOK technology the siding is locked in place on all four sides

Fraser Starter Strip

Installing Fraser Evolution siding is already a breeze thanks to the Fraser-Lok system. Now it's even easier and faster to install with the **Fraser Starter Strip**.



- Easy to install
- Eliminates the face-nail on the first row of siding
- Eliminates the need for insect screening
- Easier and faster installation of Evolution Siding
- Comes in 10' lengths
- Completely hidden once siding is installed



Designer Cuts Cedar Shingles

Fraser Wood Siding has been one of North America's foremost manufacturers of quality wood siding and cedar shingles for more than 20 years. With our shingle product line, we provide a full range of cedar shingles manufactured from Eastern White or Western Red cedar, an extremely durable wood that offers natural insulation and protection properties that surpass other siding materials.

The unique character of your home is defined by your sense of style and color. With our shingle, we offer you a broad range of designer shapes to provide you the versatility to complement any architectural or aesthetic design. Choose from our broad range of designer patterns—from octagon to diagonal or round to arrow. These stylish and elegant designs are there to help build your home's distinct charm.



Manufactured to your specifications!

Whether you prefer fish scale or round, diagonal or diamond, we've got a range of stylish and elegant designs to meet any architectural or aesthetic design.

Reduced installation time!

Our cedar shingles are produced to exacting standards that include resquaring and rebutting, which eliminates costly trimming work at installation.

Kiln dried to optimal moisture levels!

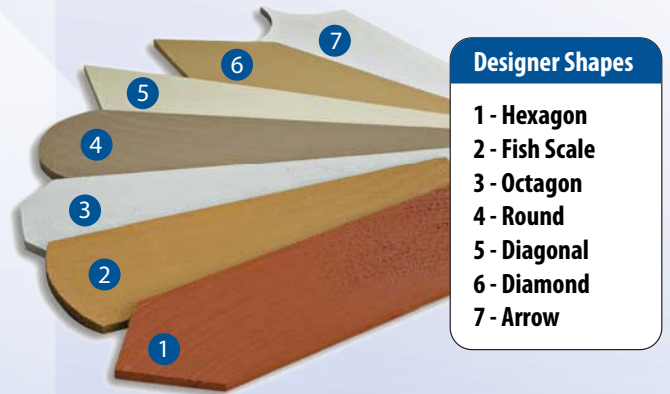
Your shingles need to last a lifetime, so we kiln dry our shingle product to ideal moisture levels in our state-of-the-art dehumidification kiln to minimize the risk of cracking and bending.

The ultimate shingle protection program!

Cedar is a durable wood with natural protection qualities. With the factory applied coating on all six sides of the shingle, our shingle product is U.V. stable, water repellent and mildew resistant.

No more delays—shingles are ready to install!

With our shingles, you eliminate expensive and irritating painting delays. No more scheduling or weather-related issues, no overspray, dripping, splattering or clean-up problems. Your project will look finished immediately.



Designer Shapes

- 1 - Hexagon
- 2 - Fish Scale
- 3 - Octagon
- 4 - Round
- 5 - Diagonal
- 6 - Diamond
- 7 - Arrow

- designer cuts
- resquared and rebuted
- kiln dried
- machine stained
- job site ready

* 2 coat solid application. See warranty for details.



Exceptional Beauty. Uncompromised Quality.

Factory Stained Cedar Shingles

Fraser Wood Siding has been one of North America's foremost manufacturers of quality wood siding and cedar shingles for more than 20 years. With our shingle product line, we provide a range of cedar shingles manufactured from Eastern White or Western Red cedar, an extremely durable wood that offers natural insulation and protection properties that surpass other siding materials.

No home would be uniquely yours without a touch of color. With our shingle product, you can choose your favorite color and we'll put it on the wood. Fraser has moved to the next generation of coating offering advanced U.V. protection which provides you complete color versatility and comprehensive protection against nature's elements.

Our machine application of 100% urethane or water based stains assures a longer-lasting and higher-quality finish than traditional on-site treatments. Whether you choose a Solid Factory-Finish or Semi-Transparent, you'll be delighted with the beautiful eggshell nish that accentuates the shingles' natural wood grain and character.



Reduced installation time.

Our cedar shingles are produced to exacting standards that include resquaring and rebutting, which eliminates costly trimming work at installation.

Kiln dried to optimal moisture levels.

Your shingles need to last a lifetime, so we kiln dry our shingle product to ideal moisture levels in our state-of-the-art dehumidification kiln, to minimize the risk of cracking and bending.

The ultimate shingle protection program!

Cedar is a durable wood with natural protection qualities. With the factory applied coating on all six sides of the shingle, our shingle product is U.V. stable, water repellent and mildew resistant.

No more delays — shingles are ready to install.

With our shingles, you eliminate expensive and irritating painting delays. No more or clean-up problems. Your project will look finished immediately.



SEMI-TRANSPARENT SOLID

- resquared and rebutedt
- kiln dried
- machine stained
- job site ready

CLASSIC SERIES

Fraser Classic Series 16" Cedar Shingles are manufactured using only the highest quality cedar available. Our proprietary grading process is unmatched in the industry, giving us the unique ability to maintain an elevated quality standard.

ESTATE SERIES

With a more pronounced exposure (up to 7") and thicker profile, Estate Cedar shingles are designed to compliment any architectural style.

*Available in Eastern White and Western Red Cedar

IN CONJUNCTION WITH THE COATING PROFESSIONALS, FRASER WOOD SIDING PRODUCES PREMIER QUALITY, FACTORY-STAINED CEDAR SHINGLES FOR THE NORTH AMERICAN MARKET.

* 2 coat solid application. See Warranty for details.



Exceptional Beauty. Uncompromised Quality.

Mouldings & Trim

Fraser Wood Siding has been one of North America's foremost manufacturers of quality wood siding and cedar shingles for more than 20 years. Since no home exterior project is complete without installing a set of mouldings and trims, Fraser Wood Siding also offers a full range of mouldings and trims in a variety of colors that add harmony to any home's design.

The unique character of your home is defined by your sense of style and color. Your choice of siding plays the most important role, but your options don't stop there. Choose from our selection of premium wood standard and designer trims and mouldings—including fascias, skirt boards and window trims—in any color to perfectly accentuate your home's style. And since you won't want to see any unsightly nails, we've got a set of color-matched nails to help you get the job done right.



Built to complement your design!

Each home project is unique, so Fraser Wood Siding offers an assortment of standard and designer trims and moldings—including skirt boards, Victorian moldings, fascia, as well as window, inside and outside trims—to complement your style.

Unlimited colors!

Just like our siding and shingle products, our moldings and trims are available in an unlimited selection of colors. Tell us your favorite color—we'll put it on the wood.

The ultimate wood protection program!

With the factory applied coating on all six sides of the wood, our moldings and trims are U.V. stable, water repellent and mildew resistant.

No more delays—wood is ready to install!

With moldings and trim from Fraser Wood Siding, you eliminate expensive and irritating painting delays. No more scheduling or weather-related issues, no overspray, dripping, splattering or clean-up problems.

Color-matched nails!

We recommend hot-dipped galvanized nails for any exterior wood installation. By using color-matched nails, there's no need for touch-ups, so your project will look finished immediately.



FRASER TRIM

IN CONJUNCTION WITH THE COATING PROFESSIONALS, FRASER WOOD SIDING IS PRODUCING PREMIER QUALITY, FACTORY-FINISHED CEDAR SHINGLES AND WOOD SIDING FOR THE NORTH AMERICAN MARKET.



Exceptional Beauty. Uncompromised Quality.

GENERAL SPECIFICATIONS

Classic Series

CLASSIC

SERIES

SPECIES

- Premium Canadian Lodgepole Pine
- PEFC Certified

MANUFACTURING

- Kiln-dried to +/- 15% humidity
- Available in rough, smooth, and brushed finish (HD)

PACKAGING

- 4' to 16' (1.22 m to 4.88 m) random lengths in minor bundles (4pcs/bundle)
- 30% short, 70% 12ft and longer
- Carefully packaged and strapped with 3/8" wide polypropylene strapping with plastic sheathing in between each piece to ensure that product is protected and remains in the best condition as possible.

AVAILABLE COLOURS

- Solid, Semi-Transparent and Atlantic Collection

FACTORY COATING

Factory coated on all six sides with Sherwin-Williams next generation of urethane-based performance coatings.

Benefits:

- Offers an extensive pallet of rich, vibrant colours, easy colour customization, and field touchup options.
- Excellent gloss retention and hiding for long lasting performance, even on dark colours.
- Excellent resistance to colour and gloss fading, chipping, and cracking.
- Cures 75% quicker than acrylic coatings (Harder Surface = Less Jobsite Damage)
- Lifetime warranty on recoat available through Sherwin-Williams





Exceptional Beauty. Uncompromised Quality.

GENERAL SPECIFICATIONS

Evolution Series

EVOLUTION

SERIES

SPECIES

- Premium Canadian Lodgepole Pine
- PEFC Certified

MANUFACTURING

- Kiln-dried to +/- 12% humidity
- Available in rough, smooth, and brushed finish (HD)

PACKAGING

- 4' to 16' (1.22 m to 4.88 m) random lengths in minor bundles (4pcs/bundle)
- 50% short, 50% 10ft and longer
- Carefully packaged and strapped with 3/8" wide polypropylene strapping with plastic sheathing in between each piece to ensure that product is protected and remains in the best condition as possible.

AVAILABLE COLOURS

- Solid, Semi-Transparent and Atlantic Collection

FACTORY COATING

Factory coated on all six sides with Sherwin-Williams next generation of urethane-based performance coatings.

Benefits:

- Offers an extensive pallet of rich, vibrant colours, easy colour customization, and field touchup options.
- Excellent gloss retention and hiding for long lasting performance, even on dark colours.
- Excellent resistance to colour and gloss fading, chipping, and cracking.
- Cures 75% quicker than acrylic coatings (Harder Surface = Less Jobsite Damage)
- Lifetime warranty on recoat available through Sherwin-Williams





PRODUCT WARRANTIES

Fraser Wood Siding “Q” Factor

Quality guaranteed to last. our siding and shingle products are manufactured following a strict production process and are backed by one of the industry’s best warranties.





Exceptional Beauty. Uncompromised Quality.

3 year Limited Warranty, Semi Transparent Collection (Applies to Rough, Smooth, and FraserHD Finishes)



Fraser Specialty Products Ltd. (Fraser) hereby warrants that for a period of three (3) years from the date of original purchase, when installed according to the “**Fraser Wood Siding Installation Guide**” (including storage guidelines), and maintained as per the “**Fraser Maintenance Guide**” (both documents available at www.fraserwoodsiding.com), the coating on this product will not peel, blister or crack due to normal weathering and exposure. This warranty is void if the product comes into direct contact with the ground, foundations, adjacent structures (e.g. decks, docks) or is immersed in water. This warranty does not cover any defects other than those previously noted, such as defects due to careless handling, extractive bleeding, mildew, touch-up misapplication or naturally occurring defects.

Within three (3) years of the purchase date, upon notification and validation of the complaint by Fraser Specialty Products Ltd., and at its sole discretion, Fraser shall compensate the original owner of the building for the quantity of stain necessary to recoat the material involved. Fraser reserves the right to inspect the materials prior to any repairs being undertaken. Only the affected areas as validated by Fraser will be covered. The owner will be solely responsible for the cost of any repairs undertaken without the written agreement of Fraser. Fraser reserves the right to void all warranties if installation and maintenance requirements are not adhered to. Installation requirements can be found in the product bundle or on the web site (www.fraserwoodsiding.com). Maintenance requirements are available upon request. Contact us by phone or web for more information.

FADING AND NORMAL WEAR ARE NOT MANUFACTURING DEFECTS AND ARE NOT COVERED BY THIS WARRANTY.

Terms and Conditions

The warranty contained herein is in effect for three (3) years from date of product purchase and is subject to the terms, conditions, exclusions and limitations, requirements and legal rights stated in this document. This warranty remains in effect for the owners of the property to which the product was originally applied. In the event of a warranty claim, the warranty period shall not be longer than three (3) years from the date of product purchase. In the event of a claim, the claimant must provide proof that they are the original owner and a copy of the original invoice is mandatory.

FRASER MAKES NO OTHER EXPRESSED OR IMPLIED WARRANTIES AND SPECIFICALLY DISCLAIMS THE IMPLIED WARRANTIES OF MERCHANTABILITY AND FITNESS FOR A PARTICULAR PURPOSE. This warranty is extended solely to the original owner of the building and is non-transferable. The Owner shall not permit their agents, representatives, customers, distributors, or contractors to claim, represent, or imply that this warranty extends to or is available to anyone other than the owner that purchased Fraser Wood Siding.

Any product found to be unsatisfactory, prior to installation, for any reason, must not be installed and should be returned to the dealer where it was purchased for possible replacement. Fraser Specialty Products Ltd. will not be responsible in any way for labor or material if defective or unacceptable material is installed. Fraser Specialty Products Ltd. shall not be liable for any consequential or special damages, or for other expenses such as accessories (building paper, sheathing, Fasteners, etc.) which may arise in connection with this warranty.

Effective March 2017



Exceptional Beauty. Uncompromised Quality.

This warranty does not apply to damage or failure caused by excessive warping, cupping, splitting, checking and shrinking of siding material (as defined by industry standards); breakdown of underlying substrate; falling objects; lack of proper maintenance; accidental damage; structural defects; fire, lightning, hurricane, tornado, windstorm, earthquake, hail or other acts of God; harmful chemicals (including harmful cleaning compounds); surface deterioration due to air pollution; misuse; abuse; vandalism; mildew accumulation; scratching, abrading, or misuse/abuse of the factory-finished product after application.

FADING IS NOT A MANUFACTURING DEFECT AND IS NOT COVERED BY THIS WARRANTY.

In purchasing the product, it is understood and accepted that the rights and limitations of this warranty are accepted as a pre condition of the purchase of Fraser Wood Siding. This warranty is expressly made in lieu of any and all other warranties, expressed or implied, including merchantability and fitness for a particular purpose. This warranty gives you specific legal rights, and you may also have other rights, which vary due to local jurisdiction of claim.



Exceptional Beauty. Uncompromised Quality.

5 year Limited Warranty, Solid Coating on Smooth Surface (Siding Only)



Fraser Specialty Products Ltd. (Fraser) hereby warrants that for a period of five (5) years from the date of original purchase, when installed according to the “**Fraser Wood Siding Installation Guide**” (including storage guidelines), and maintained as per the “**Fraser Maintenance Guide**” (both documents available at www.fraserwoodsiding.com), the coating on this product will not peel, blister or crack due to normal weathering and exposure. This warranty is void if the product comes into direct contact with the ground, foundations, adjacent structures (e.g. decks, docks) or is immersed in water. This warranty does not cover any defects other than those previously noted, such as defects due to careless handling, extractive bleeding, mildew, touch-up misapplication or naturally occurring defects.

Within five (5) years of the purchase date, upon notification and validation of the complaint by Fraser Specialty Products Ltd., and at its sole discretion, Fraser shall compensate the original owner of the building for the quantity of stain necessary to recoat the material involved. Fraser reserves the right to inspect the materials prior to any repairs being undertaken. Only the affected areas as validated by Fraser will be covered. The owner will be solely responsible for the cost of any repairs undertaken without the written agreement of Fraser. Fraser reserves the right to void all warranties if installation and maintenance requirements are not adhered to. Installation requirements can be found in the product bundle or on the web site (www.fraserwoodsiding.com). Maintenance requirements are available upon request. Contact us by phone or web for more information.

FADING AND NORMAL WEAR ARE NOT MANUFACTURING DEFECTS AND ARE NOT COVERED BY THIS WARRANTY.

Terms and Conditions

The warranty contained herein is in effect for five (5) years from date of product purchase and is subject to the terms, conditions, exclusions and limitations, requirements and legal rights stated in this document. This warranty remains in effect for the owners of the property to which the product was originally applied. In the event of a warranty claim, the warranty period shall not be longer than five (5) years from the date of original product purchase. In the event of a claim, the claimant must provide proof that they are the original owner and a copy of the original invoice is mandatory.

FRASER MAKES NO OTHER EXPRESSED OR IMPLIED WARRANTIES AND SPECIFICALLY DISCLAIMS THE IMPLIED WARRANTIES OF MERCHANTABILITY AND FITNESS FOR A PARTICULAR PURPOSE. This warranty is extended solely to the original owner of the building and is non-transferable. The Owner shall not permit their agents, representatives, customers, distributors, or contractors to claim, represent, or imply that this warranty extends to or is available to anyone other than the owner that purchased Fraser Wood Siding.

Any product found to be unsatisfactory, prior to installation, for any reason, must not be installed and should be returned to the dealer where it was purchased for replacement product. Fraser Specialty Products Ltd. will not be responsible in any way for labor or material if defective or unacceptable material is installed. Fraser Specialty Products Ltd. shall not be liable for any consequential

Effective March 2017



Exceptional Beauty. Uncompromised Quality.

or special damages, or for other expenses such as accessories (building paper, sheathing, Fasteners, etc.) which may arise in connection with this warranty.

This warranty does not apply to damage or failure caused by excessive warping, cupping, splitting, checking and shrinking of siding material (as defined by industry standards); breakdown of underlying substrate; falling objects; lack of proper maintenance; accidental damage; structural defects; fire, lightening, hurricane, tornado, windstorm, earthquake, hail or other acts of God; harmful chemicals (including harmful cleaning compounds); surface deterioration due to air pollution; misuse; abuse; vandalism; mildew accumulation; scratching, abrading, or misuse/abuse of the factory-finished product after application.

FADING IS NOT A MANUFACTURING DEFECT AND IS NOT COVERED BY THIS WARRANTY.

In purchasing the product, it is understood and accepted that the rights and limitations of this warranty are accepted as a pre condition of the purchase of Fraser Wood Siding. This warranty is expressly made in lieu of any and all other warranties, expressed or implied, including merchantability and fitness for a particular purpose. This warranty gives you specific legal rights, and you may also have other rights, which vary due to local jurisdiction of claim.



Exceptional Beauty. Uncompromised Quality.

10 year Limited Warranty, Atlantic Collection (Applies to Rough & FraserHD Finishes)



Fraser Specialty Products Ltd. (Fraser) hereby warrants that for a period of ten (10) years from the date of original purchase, when installed according to the “**Fraser Wood Siding Installation Guide**” (including Storage Guidelines), and maintained as per the “**Fraser Maintenance Guide**” (both documents available at www.fraserwoodsiding.com), the coating on this product will not peel, blister or crack due to normal weathering and exposure. This warranty is void if the product comes into direct contact with the ground, foundations, adjacent structures (e.g. decks, docks) or is immersed in water. This warranty does not cover any defects other than those previously noted, such as defects due to careless handling, extractive bleeding, mildew, touch-up misapplication or naturally occurring defects.



Within ten (10) years of the purchase date, upon notification and validation of the complaint by Fraser Specialty Products Ltd., and at its sole discretion, Fraser shall compensate the original owner of the building for the paint and labour required to repair the material involved as per the attached schedule. Fraser shall reimburse the homeowner for labour at a rate to be determined by Fraser. Fraser reserves the right to inspect the materials prior to any repairs being undertaken. Only the affected areas as validated by Fraser will be covered. The owner will be solely responsible for the cost of any repairs undertaken without the written agreement of Fraser. Fraser reserves the right to void all warranties if installation and maintenance requirements are not adhered to. Installation requirements can be found in the product bundle or on the web site (www.fraserwoodsiding.com). Maintenance requirements are available upon request. Contact us by phone or web for more information.

This warranty applies only to the rough textured surface. Fading and discoloration caused by normal exposure are natural characteristics of Semi Transparent glaze and therefore do not constitute product failure and are not covered under this warranty. The expected maintenance cycle for a product of this nature is 7-9 years depending on exposure. Semi Transparent glaze subject to a southern or western exposure tend to fade or discolour more rapidly and may require maintenance in less than 7-9 years. Variations in colour are inherent in all Semi Transparent coatings and are not a manufacturing defect.

FADING AND NORMAL WEAR ARE NOT MANUFACTURING DEFECTS AND ARE NOT COVERED BY THIS WARRANTY.

Terms and Conditions

The warranty contained herein is in effect for ten (10) years from date of product purchase and is subject to the terms, conditions, exclusions and limitations, requirements and legal rights stated in this document. This warranty remains in effect for the original owners of the property to which the product was originally applied. In the event of a warranty claim, the warranty period shall not be longer than ten (10) years from the date of original product purchase. In the event of a claim, the claimant must provide proof that they are the original owner and a copy of the original invoice is mandatory.

Effective March 2017



Exceptional Beauty. Uncompromised Quality.

FRASER MAKES NO OTHER EXPRESSED OR IMPLIED WARRANTIES AND SPECIFICALLY DISCLAIMS THE IMPLIED WARRANTIES OF MERCHANTABILITY AND FITNESS FOR A PARTICULAR PURPOSE. This warranty is extended solely to the original owner of the building and is non-transferable. The Owner shall not permit their agents, representatives, customers, distributors, or contractors to claim, represent, or imply that this warranty extends to or is available to anyone other than the owner that purchased Fraser Wood Siding.

Any product found to be unsatisfactory, prior to installation, for any reason, must not be installed and should be returned to the dealer where it was purchased for possible replacement. Fraser Specialty Products Ltd. will not be liable or responsible in any way for labor or material if defective or unacceptable material is installed. Fraser Specialty Products Ltd. shall not be liable for any consequential or special damages, or for other expenses such as accessories (building paper, sheathing, Fasteners, etc.) which may arise in connection with this warranty.

This warranty does not apply to damage or failure caused by excessive warping, cupping, splitting, checking and shrinking of siding material (as defined by industry standards); breakdown of underlying substrate; falling objects; lack of proper maintenance; accidental damage; structural defects; fire, lightning, hurricane, tornado, windstorm, earthquake, hail or other acts of God; harmful chemicals (including harmful cleaning compounds); surface deterioration due to air pollution; wind driven sand; misuse; abuse; vandalism; mildew accumulation; scratching, abrading, or misuse/abuse of the factory-finished product after application.

FADING AND NORMAL WEAR ARE NOT MANUFACTURING DEFECTS AND ARE NOT COVERED BY THIS WARRANTY.

In purchasing the product, it is understood and accepted that the rights and limitations of this warranty are accepted as a pre condition of the purchase of Fraser Wood Siding. This warranty is expressly made in lieu of any and all other warranties, expressed or implied, including merchantability and fitness for a particular purpose. This warranty gives you specific legal rights, and you may also have other rights, which vary due to local jurisdiction of claim.

Material and Labor Cost Schedule 10 year Limited Warranty – Atlantic Collection

IF COVERED BY WARRANTY	AMOUNT OF REIMBURSEMENT	
	Materials	Labour
Claim occurs during:		
First year after purchase date	100%	100%
Second year after purchase date	100%	93.33%
Third year after purchase date	100%	86.67%
Fourth year after purchase date	100%	79.99%
Fifth year after purchase date	100%	73.32%
Sixth through Tenth year after purchase date	100%	0%

Effective March 2017



Exceptional Beauty. Uncompromised Quality.

10 year Limited Warranty – One Coat Solid Stain on Wood Shingles Only



Fraser Specialty Products Ltd. (Fraser) hereby warrants that for a period of ten (10) years from the date of original purchase, when installed according to the “**Fraser Wood Siding Installation Guide**” (including Storage Guidelines), and maintained as per the “**Fraser Maintenance Guide**” (both documents available at www.fraserwoodsiding.com), the coating on this product will not peel, blister or crack due to normal weathering and exposure. This warranty is void if the product comes into direct contact with the ground, foundations, adjacent structures (eg. decks, docks) or is immersed in water. This warranty does not cover any other defects other than those previously noted, such as defects due to careless handling, extractive bleeding, mildew, touch-up misapplication or natural occurring defects.

Within ten (10) years of the purchase date, upon notification and validation of the complaint by Fraser Specialty Products Ltd., and at its sole discretion, Fraser shall compensate the original owner of the building for only the quantity of stain necessary to recoat the material involved. Fraser reserves the right to inspect the materials prior to any repairs being undertaken. The owner will be solely responsible for the cost of any repairs undertaken without the written agreement of Fraser. Only the affected areas as validated by Fraser Specialty Products Ltd. will be covered. Fraser reserves the right to void all warranties if our installation and maintenance requirements are not strictly adhered to. Installation requirements can be found on the web site (www.fraserwoodsiding.com). Maintenance requirements are available upon request. Contact us by phone or web for more information.

This warranty applies only to Select and Premium Finished Cedar Shingles. Fading and discoloration caused by normal weathering and exposure are natural characteristics of solid coatings and therefore do not constitute product failure and are not covered under this warranty. Under normal conditions the expected maintenance cycle for a product of this nature is 7-9 years depending on exposure. Solid coating applications subject to a southern or western exposure tend to fade or discolor more rapidly and may require maintenance in less than 7-9 years. Variations in colour are inherent in all solid coatings and are not a manufacturing defect.

FADING AND NORMAL WEAR ARE NOT MANUFACTURING DEFECTS AND ARE NOT COVERED BY THIS WARRANTY.

Terms and Conditions

The warranty contained herein is in effect for ten (10) years from date of product purchase and is subject to the terms, conditions, exclusions and limitations, requirements and legal rights stated in this document. This warranty remains in effect for the original owners of the property to which the product was originally applied. In the event of a warranty claim, the warranty period shall not be longer than ten (10) years from the date of original product purchase. In the event of a claim, the claimant must provide proof that they are the original owner and a copy of the original invoice is mandatory.

Any product found to be unsatisfactory, prior to installation, for any reason, must not be installed and should be returned to the dealer where it was purchased for possible replacement. Fraser Specialty Products Ltd. will not be liable or responsible in any way

Effective March 2017



Exceptional Beauty. Uncompromised Quality.

for labor or material if defective or unacceptable material is installed. Fraser Specialty Products Ltd. shall not be liable for any consequential or special damages, or for other expenses such as accessories (building paper, sheathing, Fasteners, etc.) which may arise in connection with this warranty.

FRASER MAKES NO OTHER EXPRESSED OR IMPLIED WARRANTIES AND SPECIFICALLY DISCLAIMS THE IMPLIED WARRANTIES OF MERCHANTABILITY AND FITNESS FOR A PARTICULAR PURPOSE. This warranty is extended solely to the original owner of the building and is non-transferable. The Owner shall not permit their agents, representatives, customers, distributors, or contractors to claim, represent, or imply that this warranty extends to or is available to anyone other than the owner that purchased Fraser Wood Siding.

This warranty does not apply to damage or failure caused by excessive warping, cupping, splitting, checking and shrinking of wood shingle material (as defined by industry standards); breakdown of underlying substrate; falling objects; lack of proper maintenance; accidental damage; structural defects; fire, lightening, hurricane, tornado, windstorm, earthquake, hail or other acts of God; harmful chemicals (including harmful cleaning compounds); surface deterioration due to air pollution; wind driven sand; misuse; abuse; vandalism; mildew accumulation; scratching, abrading, or misuse/abuse of the factory-finished product after application.

FADING AND NORMAL WEAR ARE NOT MANUFACTURING DEFECTS AND ARE NOT COVERED BY THIS WARRANTY.

In purchasing the product, it is understood and accepted that the rights and limitations of this warranty are accepted as a pre condition of the purchase of Fraser Wood Siding.



Exceptional Beauty. Uncompromised Quality.

15 year Solid Stain Limited Warranty (Applies to Fraser HD)

15 WARRANTY
YEARS
ON SOLID
COATINGS

Fraser Specialty Products Ltd. (Fraser) hereby warrants that for a period of fifteen (15) years from the date of original purchase, when installed according to the “**Fraser Wood Siding Installation Guide**” (including Storage Guidelines), and maintained as per the “**Fraser Maintenance Guide**” (both documents available at www.fraserwoodsiding.com), the coating on this product will not peel, blister or crack due to normal weathering and exposure. This warranty is void if the product comes into direct contact with the ground, foundations, adjacent structures (e.g. decks, docks) or is immersed in water. This warranty does not cover any defects other than those previously noted, such as defects due to careless handling, extractive bleeding, mildew, touch-up misapplication or naturally occurring defects.

Within fifteen (15) years of the purchase date, upon notification and validation of the complaint by Fraser Specialty Products Ltd., and at its sole discretion, Fraser shall compensate the purchaser or the subsequent homeowner, as the case may be, for the paint and labour required to repair the material involved as per the attached schedule. Fraser shall reimburse the homeowner for labour at a rate to be determined by Fraser. Fraser reserves the right to inspect the materials prior to any repairs being undertaken. Only the affected areas as validated by Fraser will be covered. The owner will be solely responsible for the cost of any repairs undertaken without the written agreement of Fraser. Fraser reserves the right to void all warranties if installation and maintenance requirements are not adhered to. Installation requirements can be found in the product bundle or on the web site (www.fraserwoodsiding.com). Maintenance requirements are available upon request. Contact us by phone or web for more information.

FADING AND NORMAL WEAR ARE NOT MANUFACTURING DEFECTS AND ARE NOT COVERED BY THIS WARRANTY.

Terms and Conditions

The warranty contained herein is in effect for fifteen (15) years from date of product purchase and is subject to the terms, conditions, exclusions and limitations, requirements and legal rights stated in this document. This warranty remains in effect for the owners of the property to which the product was originally applied. This warranty is transferable by the original property owner to a first transferee. In the event of a warranty claim, the warranty period shall not be longer than fifteen (15) years from the date of original product purchase. In the event of a claim, the claimant must provide proof that they are the original owner and a copy of the original invoice is mandatory.

Any product found to be unsatisfactory, prior to installation, for any reason, must not be installed and should be returned to the dealer where it was purchased for possible replacement. Fraser Specialty Products Ltd. will not be liable or responsible in any way for labour or material if defective or unacceptable material is installed. Fraser Specialty Products Ltd. shall not be liable for any consequential or special damages, or for other expenses such as accessories (building paper, sheathing, fasteners, etc.) which may arise in connection with this warranty.

This warranty does not apply to damage or failure caused by excessive warping, cupping, splitting, checking and shrinking of siding material (as defined by industry standards); breakdown of underlying substrate; falling objects; lack of proper maintenance; accidental damage; structural

Effective March 2017



Exceptional Beauty. Uncompromised Quality.

defects; fire, lightning, hurricane, tornado, windstorm, earthquake, hail or other acts of God; harmful chemicals (including harmful cleaning compounds); surface deterioration due to air pollution; misuse; abuse; vandalism; mildew accumulation; scratching, abrading, or misuse/abuse of the factory-finished product after application.

FADING IS NOT A MANUFACTURING DEFECT AND IS NOT COVERED BY THIS WARRANTY.

In purchasing the product, it is understood and accepted that the rights and limitations of this warranty are accepted as a pre condition of the purchase of Fraser Wood Siding. This warranty is expressly made in lieu of any and all other warranties, expressed or implied, including merchantability and fitness for a particular purpose. This warranty gives you specific legal rights, and you may also have other rights, which vary due to local jurisdiction of claim.

**Material and Labor Cost Schedule
15 year Solid Stain Limited Warranty - FraserHD**

IF COVERED BY WARRANTY	AMOUNT OF REIMBURSEMENT	
	Materials	Labour
Claim occurs during:		
First year after purchase date	100%	100%
Second year after purchase date	100%	93.33%
Third year after purchase date	100%	86.67%
Fourth year after purchase date	100%	79.99%
Fifth year after purchase date	100%	73.32%
Sixth through fifteenth year after purchase date	100%	0%

Effective March 2017



Exceptional Beauty. Uncompromised Quality.

20 year Limited Warranty – Two Coat Solid Stain on Wood Shingles Only



Fraser Specialty Products Ltd. (Fraser) hereby warrants that for a period of twenty (20) years from the date of original purchase, when installed according to the “**Fraser Wood Siding Installation Guide**” (including Storage Guidelines), and maintained as per the “**Fraser Maintenance Guide**” (both documents available at www.fraserwoodsiding.com), the coating on this product will not peel, blister or crack due to normal weathering and exposure. This warranty is void if the product comes into direct contact with the ground, foundations, adjacent structures (e.g. decks, docks) or is immersed in water. This warranty does not cover any defects other than those previously noted, such as defects due to careless handling, extractive bleeding, mildew, touch-up misapplication or naturally occurring defects.

Within twenty (20) years of the purchase date, upon notification and validation of the complaint by Fraser Specialty Products Ltd., and at its sole discretion, Fraser shall compensate the purchaser or the subsequent homeowner, as the case may be, for the paint and labour required to repair the material involved as per the attached schedule. Fraser shall reimburse the homeowner for labour at a rate to be determined by Fraser. Fraser reserves the right to inspect the materials prior to any repairs being undertaken. Only the affected areas as validated by Fraser will be covered. The owner will be solely responsible for the cost of any repairs undertaken without the written agreement of Fraser. Fraser reserves the right to void all warranties if installation and maintenance requirements are not adhered to. Installation requirements can be found on the web site (www.fraserwoodsiding.com). Maintenance requirements are available upon request. Contact us by phone or web for more information.

This warranty applies only to Select and Premium Finished Cedar Shingles. Fading and discoloration caused by normal weathering and exposure are natural characteristics of solid coatings and therefore do not constitute product failure and are not covered under this warranty. Under normal conditions the expected maintenance cycle for a product of this nature is 7-9 years depending on exposure. Solid coating applications subject to a southern or western exposure tend to fade or discolor more rapidly and may require maintenance in less than 7-9 years. Variations in colour are inherent in all solid coatings and are not a manufacturing defect.

FADING AND NORMAL WEAR ARE NOT MANUFACTURING DEFECTS AND ARE NOT COVERED BY THIS WARRANTY.

Terms and Conditions

The warranty contained herein is in effect for twenty (20) years from date of product purchase and is subject to the terms, conditions, exclusions and limitations, requirements and legal rights stated in this document. This warranty remains in effect for the original owners of the property to which the product was originally applied. This warranty is transferable by the original property owner to a first transferee. In the event of a warranty claim, the warranty period shall not be longer than twenty (20) years from the date of original product purchase. In the event of a claim, the claimant must provide proof that they are the original owner and a copy of the original invoice is mandatory.

Any product found to be unsatisfactory, prior to installation, for any reason, must not be installed and should be returned to the dealer where it was purchased for possible replacement. Fraser Specialty Products Ltd. will not be liable or responsible in any way

Effective March 2017



Exceptional Beauty. Uncompromised Quality.

for labor or material if defective or unacceptable material is installed. Fraser Specialty Products Ltd. shall not be liable for any consequential or special damages, or for other expenses such as accessories (building paper, sheathing, Fasteners, etc.) which may arise in connection with this warranty.

This warranty does not apply to damage or failure caused by excessive warping, cupping, splitting, checking and shrinking of wood shingle material (as defined by industry standards); breakdown of underlying substrate; falling objects; lack of proper maintenance; accidental damage; structural defects; fire, lightening, hurricane, tornado, windstorm, earthquake, hail or other acts of God; harmful chemicals (including harmful cleaning compounds); surface deterioration due to air pollution; wind driven sand; misuse; abuse; vandalism; mildew accumulation; scratching, abrading, or misuse/abuse of the factory-finished product after application.

FADING AND NORMAL WEAR ARE NOT MANUFACTURING DEFECTS AND ARE NOT COVERED BY THIS WARRANTY.

In purchasing the product, it is understood and accepted that the rights and limitations of this warranty are accepted as a pre-condition of the purchase of Fraser Wood Siding.

Material and Labor Cost Schedule 20 year 2 Coat Solid Stain Limited Warranty - Shingles

IF COVERED BY WARRANTY	AMOUNT OF REIMBURSEMENT	
	Materials	Labour
Claim occurs during:		
First year after purchase date	100%	100%
Second year after purchase date	100%	93.33%
Third year after purchase date	100%	86.67%
Fourth year after purchase date	100%	79.99%
Fifth year after purchase date	100%	73.32%
Sixth through Twentieth year after purchase date	100%	0%

Effective March 2017



Exceptional Beauty. Uncompromised Quality.

20 year Solid Stain Limited Warranty (Applies to Classic & Evolution Series - Traditional Rough Finish)



Fraser Specialty Products Ltd. (Fraser) hereby warrants that for a period of twenty (20) years from the date of original purchase, when installed according to the “**Fraser Wood Siding Installation Guide**” (including Storage Guidelines), and maintained as per the “**Fraser Maintenance Guide**” (both documents available at www.fraserwoodsiding.com), the coating on this product will not peel, blister or crack due to normal weathering and exposure. This warranty is void if the product comes into direct contact with the ground, foundations, adjacent structures (e.g. decks, docks) or is immersed in water. This warranty does not cover any defects other than those previously noted, such as defects due to careless handling, extractive bleeding, mildew, touch-up misapplication or naturally occurring defects.

Within twenty (20) years of the purchase date, upon notification and validation of the complaint by Fraser Specialty Products Ltd., and at its sole discretion, Fraser shall compensate the purchaser or the subsequent homeowner, as the case may be, for the paint and labour required to repair the material involved as per the attached schedule. Fraser shall reimburse the homeowner for labour at a rate to be determined by Fraser. Fraser reserves the right to inspect the materials prior to any repairs being undertaken. Only the affected areas as validated by Fraser will be covered. The owner will be solely responsible for the cost of any repairs undertaken without the written agreement of Fraser. Fraser reserves the right to void all warranties if installation and maintenance requirements are not adhered to. Installation requirements can be found in the product bundle or on the web site (www.fraserwoodsiding.com). Maintenance requirements are available upon request. Contact us by phone or web for more information.

FADING AND NORMAL WEAR ARE NOT MANUFACTURING DEFECTS AND ARE NOT COVERED BY THIS WARRANTY.

Terms and Conditions

The warranty contained herein is in effect for twenty (20) years from date of product purchase and is subject to the terms, conditions, exclusions and limitations, requirements and legal rights stated in this document. This warranty remains in effect for the owners of the property to which the product was originally applied. This warranty is transferable by the original property owner to a first transferee. In the event of a warranty claim, the warranty period shall not be longer than twenty (20) years from the date of original product purchase. In the event of a claim, the claimant must provide proof that they are the original owner and a copy of the original invoice is mandatory.

Any product found to be unsatisfactory, prior to installation, for any reason, must not be installed and should be returned to the dealer where it was purchased for possible replacement. Fraser Specialty Products Ltd. will not be liable or responsible in any way for labour or material if defective or unacceptable material is installed. Fraser Specialty Products Ltd. shall not be liable for any consequential or special damages, or for other expenses such as accessories (building paper, sheathing, fasteners, etc.) which may arise in connection with this warranty.

This warranty does not apply to damage or failure caused by excessive warping, cupping, splitting, checking and shrinking of siding material (as defined by industry standards); breakdown of underlying substrate; falling objects; lack of proper maintenance; accidental damage; structural

Effective March 2017



Exceptional Beauty. Uncompromised Quality.

defects; fire, lightning, hurricane, tornado, windstorm, earthquake, hail or other acts of God; harmful chemicals (including harmful cleaning compounds); surface deterioration due to air pollution; misuse; abuse; vandalism; mildew accumulation; scratching, abrading, or misuse/abuse of the factory-finished product after application.

FADING IS NOT A MANUFACTURING DEFECT AND IS NOT COVERED BY THIS WARRANTY.

In purchasing the product, it is understood and accepted that the rights and limitations of this warranty are accepted as a pre condition of the purchase of Fraser Wood Siding. This warranty is expressly made in lieu of any and all other warranties, expressed or implied, including merchantability and fitness for a particular purpose. This warranty gives you specific legal rights, and you may also have other rights, which vary due to local jurisdiction of claim.

**Material and Labor Cost Schedule
20 year solid Stain Limited Warranty**

IF COVERED BY WARRANTY	AMOUNT OF REIMBURSEMENT	
	Materials	Labour
Claim occurs during:		
First year after purchase date	100%	100%
Second year after purchase date	100%	93.33%
Third year after purchase date	100%	86.67%
Fourth year after purchase date	100%	79.99%
Fifth year after purchase date	100%	73.32%
Sixth through Twentieth year after purchase date	100%	0%

Effective March 2017



Exceptional Beauty. Uncompromised Quality.

Upgraded 30 year Solid Stain Limited Warranty (Applies to Classic & Evolution Series – Traditional Rough Finish)

30 **WARRANTY**
YEARS
ON SOLID
COATINGS

Fraser Specialty Products Ltd. (Fraser) hereby warrants that for a period of thirty (30) years from the date of original purchase, when installed according to the “**Fraser Wood Siding Installation Guide**” (including Storage Guidelines), and maintained as per the “**Fraser Maintenance Guide**” (both documents available at www.fraserwoodsiding.com), the coating on this product will not peel, blister or crack due to normal weathering and exposure. This warranty is void if the product comes into direct contact with the ground, foundations, adjacent structures (e.g. decks, docks) or is immersed in water. This warranty does not cover any defects other than those previously noted, such as defects due to careless handling, extractive bleeding, mildew, touch-up misapplication or naturally occurring defects.

Within thirty (30) years of the purchase date, upon notification and validation of the complaint by Fraser Specialty Products Ltd., and at its sole discretion, Fraser shall compensate the purchaser or the subsequent homeowner, as the case may be, for the paint and labour required to repair the material involved as per the attached schedule. Fraser shall reimburse the homeowner for labour at a rate to be determined by Fraser. Fraser reserves the right to inspect the materials prior to any repairs being undertaken. Only the affected areas as validated by Fraser will be covered. The owner will be solely responsible for the cost of any repairs undertaken without the written agreement of Fraser. Fraser reserves the right to void all warranties if installation requirements are not adhered to. Installation requirements can be found in the product bundle or on the web site (www.fraserwoodsiding.com). Maintenance requirements are available upon request. Contact us by phone or web for more information.

FADING AND NORMAL WEAR ARE NOT MANUFACTURING DEFECTS AND ARE NOT COVERED BY THIS WARRANTY.

Terms and Conditions

The warranty contained herein is in effect for thirty (30) years from date of product purchase and is subject to the terms, conditions, exclusions and limitations, requirements and legal rights stated in this document. This warranty remains in effect for the owners of the property to which the product was originally applied. This warranty is transferable by the original property owner to a first transferee. In the event of a warranty claim, the warranty period shall not be longer than thirty (30) years from the date of original product purchase. In the event of a claim, the claimant must provide proof that they are the original owner and a copy of the original invoice is mandatory.

Any product found to be unsatisfactory, prior to installation, for any reason, must not be installed and should be returned to the dealer where it was purchased for possible replacement. Fraser Specialty Products Ltd. will not be liable or responsible in any way for labour or material if defective or unacceptable material is installed. Fraser Specialty Products Ltd. shall not be liable for any consequential or special damages, or for other expenses such as accessories (building paper, sheathing, fasteners, etc.) which may arise in connection with this warranty.

This warranty does not apply to damage or failure caused by excessive warping, cupping, splitting, checking and shrinking of siding material (as defined by industry standards); breakdown of underlying substrate; falling objects; lack of proper maintenance; accidental damage; structural

Effective March 2017



Exceptional Beauty. Uncompromised Quality.

defects; fire, lightning, hurricane, tornado, windstorm, earthquake, hail or other acts of God; harmful chemicals (including harmful cleaning compounds); surface deterioration due to air pollution; misuse; abuse; vandalism; mildew accumulation; scratching, abrading, or misuse/abuse of the factory-finished product after application.

FADING IS NOT A MANUFACTURING DEFECT AND IS NOT COVERED BY THIS WARRANTY.

In purchasing the product, it is understood and accepted that the rights and limitations of this warranty are accepted as a pre condition of the purchase of Fraser Wood Siding. This warranty is expressly made in lieu of any and all other warranties, expressed or implied, including merchantability and fitness for a particular purpose. This warranty gives you specific legal rights, and you may also have other rights, which vary due to local jurisdiction of claim.

**Material and Labor Cost Schedule
30 year solid Stain Limited Warranty**

IF COVERED BY WARRANTY	AMOUNT OF REIMBURSEMENT	
	Materials	Labour
Claim occurs during:		
First year after purchase date	100%	100%
Second year after purchase date	100%	93.33%
Third year after purchase date	100%	86.67%
Fourth year after purchase date	100%	79.99%
Fifth year after purchase date	100%	73.32%
Sixth year after purchase date	100%	66.65%
Seventh year after purchase date	100%	59.98%
Eighth year after purchase date	100%	53.31%
Ninth year after purchase date	100%	46.64%
Tenth year after purchase date	100%	39.97%
Eleventh through Thirtieth year after purchase date	100%	0%

Effective March 2017



Exceptional Beauty. Uncompromised Quality.

30 year Limited Warranty against Wood Decay (Applies to Smooth Finishes & Semi-Transparent and Atlantic Collections)



Fraser Specialty Products Ltd. (Fraser) hereby warrants that for a period of thirty (30) years from the date of original purchase, when installed according to the “**Fraser Wood Siding Installation Guide**” (including Storage Guidelines), and maintained as per the “**Fraser Maintenance Guide**” (both documents available at www.fraserwoodsiding.com), this product will not decay due to normal weathering. This warranty is void if the product comes into direct contact with the ground, adjacent structures (e.g. decks, docks) or is immersed in water. This warranty does not cover any other defects other than those previously noted.

Within thirty (30) years of the purchase date, upon notification and validation of the complaint by Fraser Specialty Products Ltd., and at its sole discretion, Fraser shall compensate the purchaser or the subsequent homeowner, as the case may be, for the material required to repair the material involved. Fraser reserves the right to inspect the materials prior to any repairs being undertaken. Only the affected areas as validated by Fraser Specialty Ltd. will be covered. Fraser Specialty Ltd. reserves the right to void all warranties if installation and maintenance requirements are not adhered to. Installation requirements can be found in the product bundle or on the web site (www.fraserwoodsiding.com). Maintenance requirements are available upon request. Contact us by phone or web for more information.

Terms and Conditions

The warranty contained herein is in effect for thirty (30) years from date of product purchase and is subject to the terms, conditions, exclusions and limitations, requirements and legal rights stated in this document. This warranty remains in effect for the owners of the property to which the product was originally applied. This warranty is transferable by the original property owner to a first transferee. In the event of a warranty claim, the warranty period shall not be longer than thirty (30) years from the date of original product purchase. In the event of a claim, the claimant must provide proof that they are the original owner and a copy of the original invoice is mandatory.

Any product found to be unsatisfactory, prior to installation, for any reason, must not be installed and should be returned to the dealer where it was purchased for possible replacement. Fraser Specialty Products Ltd. will not be responsible in any way for labor or material if defective or unacceptable material is installed. Fraser Specialty Products Ltd. shall not be liable for any consequential or special damages, or for other expenses such as accessories (building paper, sheathing, Fasteners, etc.) which may arise in connection with this warranty.

This warranty does not apply to damage or failure caused by excessive warping, cupping, splitting, checking and shrinking of siding material (as defined by industry standards); breakdown of underlying substrate; falling objects; lack of proper maintenance; accidental damage; structural defects; fire, lightning, hurricane, tornado, windstorm, earthquake, hail or other acts of God; harmful chemicals (including harmful cleaning compounds); surface deterioration due to air pollution; misuse; abuse; vandalism; mildew accumulation; scratching, abrading, or misuse/abuse of the factory-finished product after application.

Effective March 2017



Exceptional Beauty. Uncompromised Quality.

Any claim against this warranty must be made in writing and include a copy of the original invoice for the product. The quantity of replacement product will correspond to the quantity of product damaged by decay, as determined by Fraser Specialty Products Ltd.

In purchasing the product, it is understood and accepted that the rights and limitations of this warranty are accepted as a pre condition of the purchase of Fraser Wood Siding. This warranty is expressly made in lieu of any and all other warranties, expressed or implied, including merchantability and fitness for a particular purpose. This warranty gives you specific legal rights, and you may also have other rights, which vary due to local jurisdiction of claim.



Exceptional Beauty. Uncompromised Quality.

50 year Limited Warranty against Wood Decay (Applies to Shingles & FraserHD and Rough Finishes)



Fraser Specialty Products Ltd. (Fraser) hereby warrants that for a period of fifty (50) years from the date of original purchase, when installed according to the “**Fraser Wood Siding Installation Guide**” (including Storage Guidelines), and maintained as per the “**Fraser Maintenance Guide**” (both documents available at www.fraserwoodsiding.com), this product will not decay due to normal weathering. This warranty is void if the product comes into direct contact with the ground, adjacent structures (e.g. decks, docks) or is immersed in water. This warranty does not cover any other defects other than those previously noted.

Within five (5) years of the purchase date, upon notification and validation of the complaint by Fraser Specialty Products Ltd., and at its sole discretion, Fraser shall compensate the purchaser or the subsequent homeowner, as the case may be, for the material and labor required to repair the material involved as per the attached schedule. Fraser shall reimburse the homeowner for labour at a rate to be determined by Fraser. Fraser reserves the right to inspect the materials prior to any repairs being undertaken. Only the affected areas as validated by Fraser Specialty Ltd. will be covered. Fraser Specialty Ltd. reserves the right to void all warranties if installation and maintenance requirements are not adhered to. Installation requirements can be found in the product bundle or on the web site (www.fraserwoodsiding.com). Maintenance requirements are available upon request. Contact us by phone or web for more information.

Terms and Conditions

The warranty contained herein is in effect for fifty (50) years from date of product purchase and is subject to the terms, conditions, exclusions and limitations, requirements and legal rights stated in this document. This warranty remains in effect for the owners of the property to which the product was originally applied. This warranty is transferable by the original property owner to a first transferee. In the event of a warranty claim, the warranty period shall not be longer than fifty (50) years from the date of original product purchase. In the event of a claim, the claimant must provide proof that they are the original owner and a copy of the original invoice is mandatory.

Any product found to be unsatisfactory, prior to installation, for any reason, must not be installed and should be returned to the dealer where it was purchased for possible replacement. Fraser Specialty Products Ltd. will not be responsible in any way for labor or material if defective or unacceptable material is installed. Fraser Specialty Products Ltd. shall not be liable for any consequential or special damages, or for other expenses such as accessories (building paper, sheathing, Fasteners, etc.) which may arise in connection with this Warranty.

This warranty does not apply to damage or failure caused by excessive warping, cupping, splitting, checking and shrinking of siding and shingle material (as defined by industry standards); breakdown of underlying substrate; falling objects; lack of proper maintenance; accidental damage; structural defects; fire, lightning, hurricane, tornado, windstorm, earthquake, hail or other acts of God; harmful chemicals (including harmful cleaning compounds); surface deterioration due to air pollution; misuse; abuse; vandalism; mildew accumulation; scratching, abrading, or misuse/abuse of the factory-finished product after application.

Effective March 2017



Exceptional Beauty. Uncompromised Quality.

Any claim against this warranty must be made in writing and include a copy of the original invoice for the product. The quantity of replacement product will correspond to the quantity of product damaged by decay, as determined by Fraser Specialty Products Ltd.

In purchasing the product, it is understood and accepted that the rights and limitations of this Warranty are accepted as a pre condition of the purchase of Fraser Wood Siding. This warranty is expressly made in lieu of any and all other warranties, expressed or implied, including merchantability and fitness for a particular purpose. This Warranty gives you specific legal rights, and you may also have other rights, which vary due to local jurisdiction of claim.

Material and Labor Cost Schedule 50 Year Limited Warranty – Wood Decay

IF COVERED BY WARRANTY	AMOUNT OF REIMBURSEMENT	
	Materials	Labour
Claim occurs during:		
First year after purchase date	100%	100%
Second year after purchase date	100%	93.33%
Third year after purchase date	100%	86.67%
Fourth year after purchase date	100%	79.99%
Fifth year after purchase date	100%	73.32%
Sixth year through Fiftieth year after purchase date	100%	0%

Effective March 2017



Exceptional Beauty. Uncompromised Quality.

MAINTENANCE GUIDE

How to get the most out of your warranty

Fraser Wood Siding will exhibit a variety of natural characteristics that are inherent to solid wood. These characteristics are to be expected but may vary depending on the fiber and local environment. These minor defects will not affect the siding's ability to protect your home. Although these minor defects are not covered by the Fraser Wood Siding Warranty, it is prudent to inspect your siding on a regular basis and to follow the maintenance recommendations as outlined below.

1 DIRT

Dirt and airborne pollutants are found naturally in most environments. They can settle on siding and trims and create visible spots on the coated surface. Although dirt alone will not cause the coating to fail it is recommended you clean the product. When choosing to wash the product we recommend Cabot House wash following the instructions provided on the product. If the product is not available in your area contact Fraser Wood Siding @ 888-457-3898.

Use of a pressure washer to clean siding will **VOID COATING WARRANTY.**

2 MOLD AND MILDEW

Airborne mold spores can settle on siding/shingles, attach themselves, grow and expand provided they have moisture and a food source. Although this is a natural occurrence the spores must be removed to ensure your coatings warranty remains in effect.

When removing Mold or mildew please use Cabot House wash, or similar product and follow the relevant instructions.

3 EXPOSURE OF BARE WOOD

Although all factory finishes are durable, it is possible the raw wood can become exposed through a chip, dent, scratch or some other form of misuse or abuse. Any time the paint coating is damaged there is the possibility that moisture can enter the siding and cause coating failure. Exposed wood must be recoated with the touch up stain that was provided with the original order^{**}. Stain must only be applied to the damaged area; there may be visible differences in the sheen and colour so precision is recommended in coating the exposed wood. If you no longer have the touch up stain contact Fraser Wood Siding for more information.

PRODUCT MUST BE RECOATED WHEN IT SHOWS SIGNS OF NATURAL WEAR IN ORDER TO RETAIN WARRANTIES.



Exceptional Beauty. Uncompromised Quality.

MAINTENANCE GUIDE

How to get the most out of your warranty

4 FADING

Fraser Wood Siding warrants our solid coatings against cracking, peeling and blistering due to normal weathering for a period of 20 years. Fading will occur over the lifespan of all exterior stained products and is not covered under the warranty. Bright colours such as red and yellow will fade at a much faster rate than earth tones. Once your siding has lost its pigmentation to the point of colour change it should be recoated with siding paint.

5 MINOR DEFECTS

When purchasing a solid wood product you must be aware that there may be a small percentage of boards that have one or more of the following natural defects – Center heart lift: can be easily repaired by cutting off the lifted grain with a chisel and restaining the exposed area. Knot shrinkage: Secure the loose knot and re-stain. Although these and other minor defects are rare, they may nevertheless appear. Because wood is a natural product we do not warranty against these and other minor natural defects.

6 EXTRACTIVE BLEEDING

Fraser Wood Siding attempts in the manufacturing process to minimize the resin that enters the production facility. However, it may be possible that some pitch/sap may move to the surface of the product in the warmer summer months. Pitch will not harm the coating and can be removed once it has dried with soapy water and a soft bristle brush. Extractive bleeding is a natural occurrence and is not covered under the warranty.

7 TANNIN BLEEDING

Tannin is naturally occurring oil that forms in all cedar products. Following heavy periods of rain and intense sun it may migrate to the surface. White cedar tannins will not stain the surface and will weather away in 6 – 8 weeks. Tannin bleed is a natural occurrence and is not covered under the warranty.

PRODUCT MUST BE RECOATED WHEN IT SHOWS SIGNS OF NATURAL WEAR IN ORDER TO RETAIN WARRANTIES.

***Ensure the original stain has not been frozen prior to use as touch up.*

NAILS & ACCESSORIES

Hot Galvanized Nails

Stainless Steel Nails

Coil Nails

Hot-dipped galvanized or stainless steel nails from Maze nails, ideal for all our siding and shingle installations. Nails can be colour matched to the siding or shingles, saving time and labour on installation.



Hammer Caps

Protects wood siding and cedar shingles from hammer indentations.

Nails & Accessories

Fraser Wood Siding has been one of North America's foremost suppliers of quality wood siding and cedar shingles for more than 20 years. During that time, Fraser Wood Siding has always recognized the importance of choosing the best quality nails for the installation of its products. Through its association with Maze Nails — a division of the W.H. Maze Company — Fraser Wood Siding offers a complete line of specialty nails for its siding and shingle products.

From galvanized, double hot-dip and stainless steel wood siding to wood siding nails specially designed for cedar, customers can choose from a wide array of excellent quality nails to suit their particular need. Both stainless steel and galvanized nails are available in coils for the speed and convenience of pneumatic application. To complete a clean and proper installation, Fraser Wood Siding offers plastic hammer caps for applying painted nails. The caps help reduce damage to paint film on colored nails during application. Fraser also offers stainless steel staples for the installation of Evolution Series profiles.



15 DEGREE PLASTIC COIL NAILS

Double hot-dip "Split-less"™ and Stainless Steel "Slim-Jim"™ wood siding nails

For fine wood siding, "Stormguard"™ Wood Siding Nails are galvanized (double hot-dipped), offering long-term rust protection. Nails come in coils that fit many popular coil nailers, promising speed and convenience of pneumatic application.

For jobs that will be left natural or treated with a clear or semi-transparent finish, Stainless Steel "Slim-Jim"™ nails are recommended. Both coils come with 200 nails per coil, 16 coils per carton.



Ring Shank

PLASTIC HAMMER CAPS for applying painted nails

These paint savers are offered to reduce damage to paint film on colored nails during application. It is strongly recommended they be used in all painted nail jobs, whether for siding or shingle products.



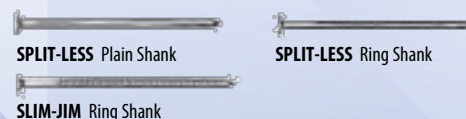
SPLIT-LESS, SLIM-JIM, and STORMGUARD are registered trademarks of Maze Nails, a Division of W.H. Maze Company.

HAND-DRIVEN NAILS FOR SIDING

Double hot-dip "Split-less"™ and Stainless Steel "Slim-Jim"™ wood siding nails

Specially designed for split-prone woods such as cedar and redwood, these slim, sturdy shank and special blunt point nails virtually eliminate splits. "Stormguard"™ nails are double-dipped in molten zinc, with a checkered head to enhance paint adhesion on color-matched nails.

"Slim-Jim"™ wood siding nails are slender, blunt-pointed nails made from high tensile Type 304 Stainless Steel to minimize bending and reduce splitting. Their small heads can be countersunk.



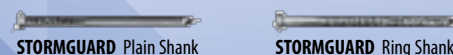
SPLIT-LESS Plain Shank

SPLIT-LESS Ring Shank

SLIM-JIM Ring Shank

Cedar shingle siding face nails

Ideally suited for shingle siding applications. Slim shank, blunt point, small checkered brad head. "Stormguard"™ double-dipped in molten zinc.



STORMGUARD Plain Shank

STORMGUARD Ring Shank

Color-matched nails

With color-matched nails, there's no need for touch-ups, so your project will look finished immediately. All nail types are available painted. There are over 200 colors available.

2" Stainless Steel Staples: for Evolution Series profiles

Fraser offers staples for the installation of Evolution Series profiles. If using staples as your fastener, you should use 1x4 furring strips and use 2 staples per fastening point.

TECHNICAL & INSTALLATION

Siding Installation Guides

Shingle Installation Guide

Technical Specifications

- Drawings
- Reference Sheet - Sidings & Trim
- Conversion Tables & Nails





Exceptional Beauty. Uncompromised Quality.

Siding Installation Guide

INSTALLATION NOTES & INSTRUCTIONS

The following instructions pertain to the installation of Fraser Wood Siding on a typical wood frame construction allowing for nail penetration of 1" (min.) through the siding into solid wood every 16" o/c on vertical strapping or 12" o/c on when strapping is installed on a 45° degree angle. There should always be at least ½" of airspace between Fraser Wood Siding and the outside of the wall. If your construction is of a different type, please call Fraser at 1-888-457-3898 for installation instructions.

Please read all of the following instructions prior to beginning your installation of Fraser Wood Siding. The following installation guidelines have been produced in accordance with the National Building Code of Canada. Please check with your local authorities for particular installation codes within your area.



Fraser Wood Siding strictly adheres to production procedures to deliver exceptional quality wood siding that meets or exceeds industry standards. If, for any reason, you encounter any unsatisfactory product, please call Fraser at 1-888-457-3898 PRIOR TO INSTALLATION. Fraser will replace any material found to be unacceptable prior to installation. **Fraser does not warrant the installation of its product. It is the installer's responsibility to ensure that the siding is correctly installed.**

BEFORE YOU BEGIN — FRASER WOOD SIDING STORAGE

Your Fraser Wood Siding must be kept dry prior to installation. Fraser Wood Siding should be stored off the ground on a flat surface under a roof or under a waterproof covering. All siding should be left minor bundled until it is ready to fastened to the wall. Fraser Wood Siding's finish is a breathable coating that allows for the transfer of moisture in and out of the siding. Wet siding will expand across the width.

Fraser Wood Siding strictly adheres to the production procedures to deliver exceptional quality wood siding that meets or exceeds industry standards. **If for any reason, you encounter any unsatisfactory product, please call Fraser Wood Siding @ 1-866-630-2495 PRIOR TO INSTALLATION.**

FRASER WOOD SIDING SHALL NOT BE RESPONSIBLE FOR PROBLEMS CAUSED BY IMPROPER STORAGE OR HANDLING.

FRASER WOOD SIDING does not warranty the installation of its product. It is the installer's responsibility to ensure the siding is installed according to this guide, failure to adhere to the installation instructions may void the warranty.



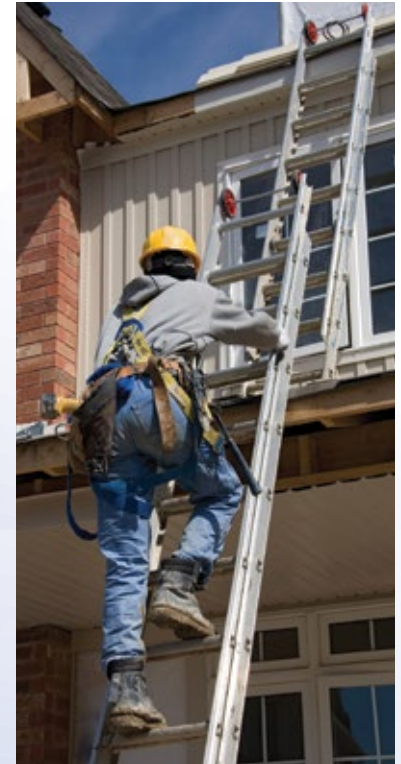
Exceptional Beauty. Uncompromised Quality.

Fraser Wood Siding Installation Tips

- Horizontal application is recommended for Bevel with Shiplap, Clapboard and Cove siding.
- Vertical applications are recommended for Board & Batten siding.
- Use either a horizontal or vertical application for Channel, V-joint, 8" Euro-V or 8" NEO.
- **Provide a minimum of 8" finish grade ground clearance.**
- A continuous positive vapor barrier must be installed on the inside of conditioned exterior walls.
- Seal all cuts and minor damage to finished surfaces with Fraser Touch-up Paint.

Installer's Responsibilities

- Ensure that the Fraser Wood Siding is installed in accordance with the instruction guidelines supplied by Fraser.
- Follow local bylaws and building codes.
- Seal all cuts and minor damage to finished surfaces with Fraser Touch-up Paint.
- Use a chalk line, story pole or jig block to obtain a 1/16" clearance between each row of shiplap.
- Nails must penetrate solid wood (i.e. sheathing and stud) by 1" Nailing to the sheathing only does not properly secure the siding.
- There must be a minimum of 1/2" air space between the siding and sheathing. 1 x 3 kiln dried (actual 3/4") strapping is recommended except over rigid foam, ICF or a vertical application. When installing over ICF, rigid foam or SIPs panels the strapping must be a full actual 1".
- Siding must not be installed over wet sheathing. Use kiln dried sheathing and strapping. Allow rain soaked materials to dry prior to installation.
- Joints must be made over solid wood to provide secure nailing. For best results miter joints 22.5°. Do not lift pieces to allow for alignment. Cut along the top and touch up the cut. Raising one end could result in unlocking.





Ventilation

(Sec 1) Siding being installed Horizontal

The following procedures must be followed to ensure performance as well as maintain the Fraser Wood Siding warranties.

1. The strapping must be kiln dried and installed to allow air flow and drainage from the bottom of the wall. It must also allow for the air to vent out at the top of the wall. In all cases the Siding can be vented into the soffit OR a 3/8" exhaust (with bug screen) can be left at the top of the wall, below the soffit.
2. Over windows, doors and other permanent structures attached to the home (ex. Stone, Brick, decks, etc.) there must be a minimum of 3/8" gap (capillary break) between the flashing and siding with the proper ventilation as described in section 1 (one).
3. To prevent insects from nesting behind the siding a bug screen must be installed at the bottom and top (exhaust) of the wall (the only exception is at the top of the wall if it is vented into the soffit).

(Sec 2) Siding being installed Vertical

1" kiln dried strapping is mandatory for any vertical application.

FOR BEST PERFORMANCE – Install strapping at a 45° angle at 12" o/c or double strap (use standard strapping vertically and double strap with 1" on the horizontal).

Strapping can also be installed horizontally so long as there is 1/2" drainage slots every 48" between studs.

Bug screen must be installed at the bottom and top of the wall in both of these cases.

IMPORTANT!!

If a horizontal strapping is placed at the bottom of the wall and prevents proper drainage and air flow, or if the top is not properly vented, ALL FRASER WOOD SIDING WARRANTIES WILL BE VOID.



Exceptional Beauty. Uncompromised Quality.

Preparation — Installing Fraser Wood Siding over rigid insulation or ICF

Rigid foam sheathing and other rigid insulations can result in moisture accumulation on the back of the siding and cause staining, buckling and damage to finish coats. The installation of Fraser Wood Siding over rigid foam sheathing must meet the following conditions:

Siding installed HORIZONTAL

- **Fraser Wood Siding** must be applied to strapping, creating an air space between siding and rigid foam or fiberglass to allow for the venting of accumulated moisture. Strapping must be a full 1" thick and kiln dried. Over Foam the strapping must be attached to the framing members (min of 1 ¼" penetration) of the home or the webbing of the ICF panel (refer to the ICF manufacturer for recommended fasteners)
- **For Ventilation and drainage requirements refer to VENTILATION SECTION ABOVE.**
- Building paper or an equivalent building wrap must be applied over the foam sheathing, glass clad, etc.

Siding installed VERTICAL

- 1" strapping is mandatory
- Refer to section 2 for vertical installation

In addition to the above conditions, the following recommendations are meant to minimize potential problems when wood sidings are applied over rigid foam sheathing and other rigid insulations:

- Use thicker siding patterns in widths of 6" or less. Thick, narrow siding is more stable than thinner, wider patterns and better able to resist dimensional changes.
- Choose light colors to maximize heat reflection and reduce dimensional movement.

Nailing instructions

- Use Fraser's colour matched 2 ½" ringed nails.
- The nail heads must be driven flush with the surface of the siding.
- Nailing 1"x4" and 1"x6" siding: One nail every 16" o/c or 12" if strapping is installed on a 45 – ¾" to 1" from the base of the board.
- Nailing 1"x8" and 1"x10": Two nails every 16" o/c or 12" if strapping is installed on a 45 – one at ¾" to 1" from the base and the other at 2 ½" from the top edge.
- Please use the plastic hammer cap supplied with the nails to avoid damaging the stain on the nail heads.
- Nails must penetrate solid wood (sheathing and studs) by a minimum of 1".
- Plastic coil nails can be used if supplied by Fraser Wood Siding.
- Do not use strip nails.

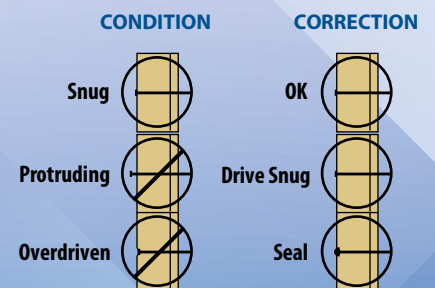


Figure 1

See the figures below for additional information:

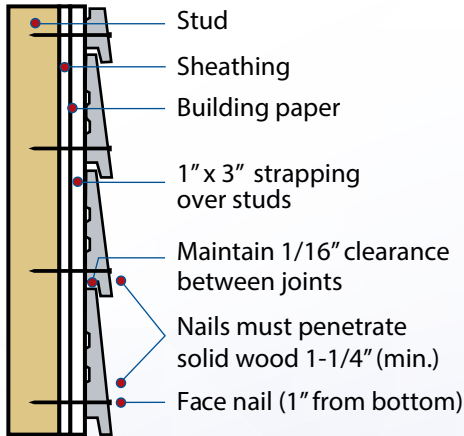


Figure 2
Shiplap Siding

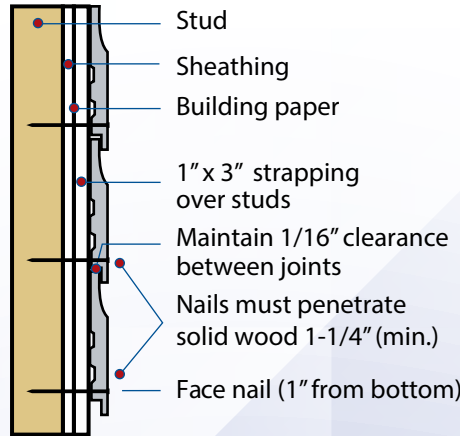


Figure 3
Cove Siding

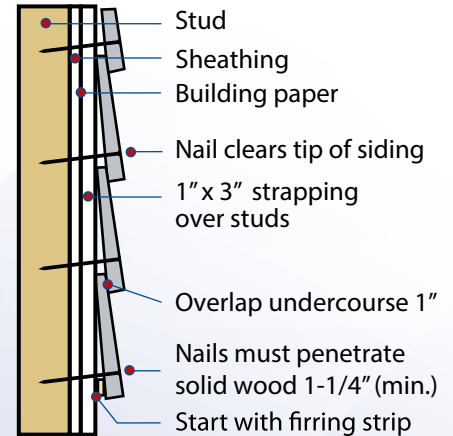


Figure 4
Standard Bevel

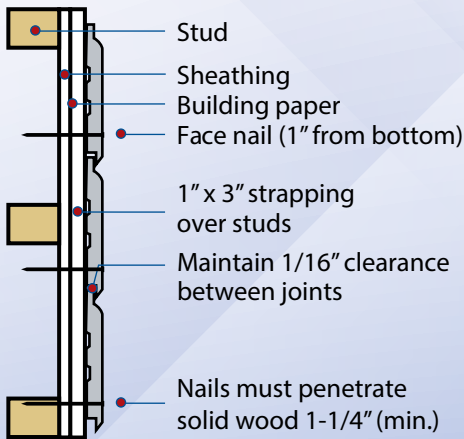


Figure 5
V-Joint Siding (vert.)
(also applicable for horiz. installation)

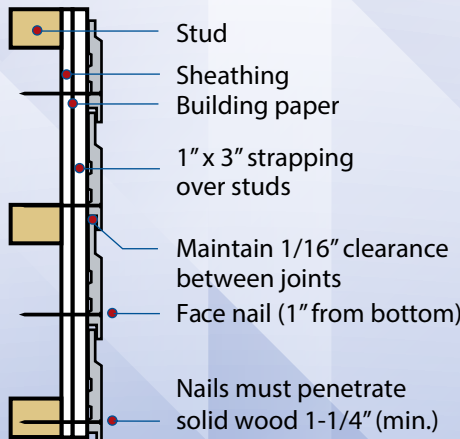


Figure 6
Channel Siding (vert.)
(also applicable for horiz. installation)

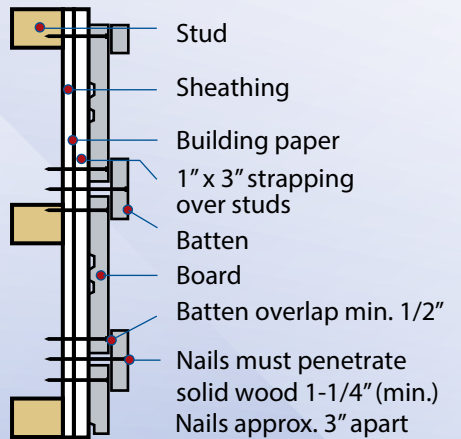


Figure 7
Board & Batten Siding (vert.)

Note: FOR OPTIMUM PERFORMANCE 8" & 10" PROFILES MUST BE DOUBLE NAILED.

IMPORTANT: APPLICATION OF PRODUCT CONSTITUTES ACCEPTANCE OF CONDITION OF PRODUCT.

Exceptional Beauty. Uncompromised Quality.

Caulking

For optimal results, use a high-quality (ie. Mulco Flextra or better), clear or paintable latex caulking.

- Caulk all joints where siding meets corners, windows, doors, and trim.

Typical Installations

Figure 8
Typical corner & trim details

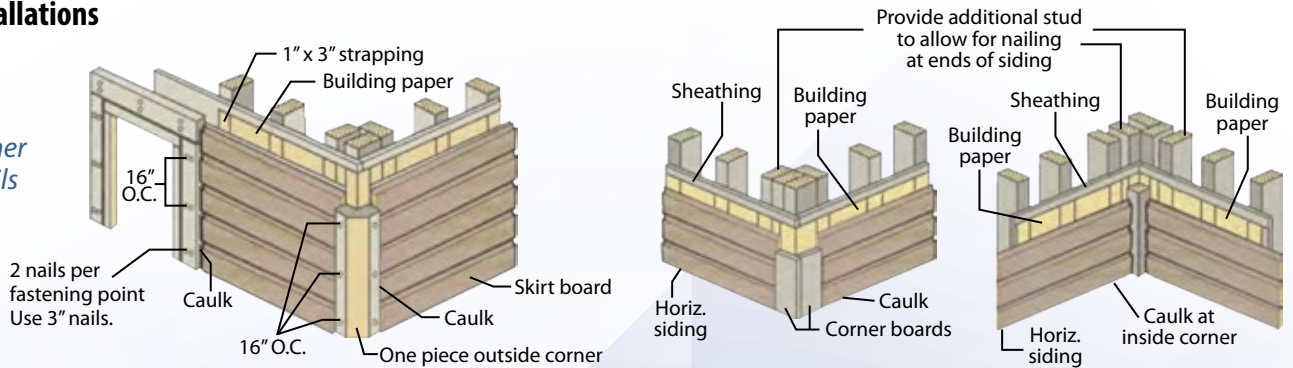


Figure 9
Typical trim details

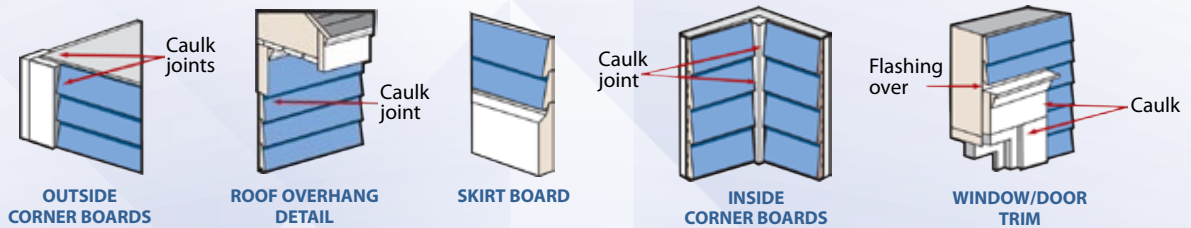


Figure 10
Typical dormer detail

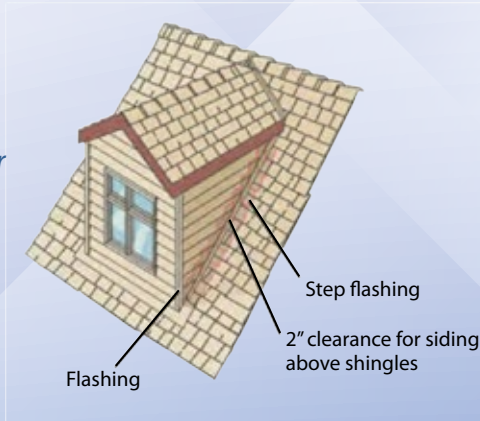
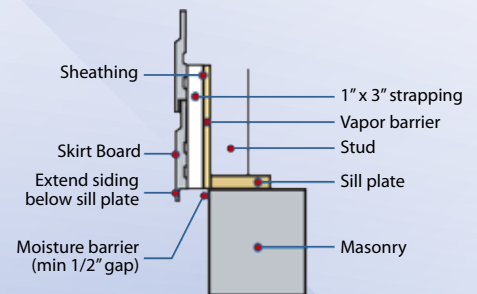


Figure 11
Siding must not contact masonry



Siding Installation Tips

Siding must not touch masonry

- Do not let Fraser Wood Siding come in direct contact with any form of concrete or stone
- Space siding or skirt board min. 1/2" away from any masonry or stone
- Lap bottom sill plate by 1/2"

Repairs and Touch-Ups

The following must be sealed using a minimum of two coats of Fraser Wood Siding touch-up paint:

- Minor scrapes and damage created during installation
- All ends
- Large wood surfaces created by ripping and mitering



Exceptional Beauty. Uncompromised Quality.

Evolution Series Installation Guide

The following instructions pertain to the installation of FRASER WOOD SIDING Evolution Series on a typical wood frame construction allowing for nail penetration of 1" (min.) through the siding into solid wood every 16".

If your construction is of a different type, please call Fraser at 1-866-630-2495 for installation instructions.

Please read the following instructions prior to beginning your installation. Please consult the National Building Code of Canada, provincial and local building codes for requirements regarding the installation of siding, house wrap (breather membranes), etc.

Evolution tongue and groove end-match system locks the siding in place allowing for joints to fall anywhere between the furring strips. This in turn reduces cutting as well as waste.



BEFORE YOU BEGIN — FRASER WOOD SIDING STORAGE

Your Fraser Wood Siding must be kept dry prior to installation. Fraser Wood Siding should be stored off the ground on a flat surface under a roof or under a waterproof covering. All siding should be left minor bundled until it is ready to fastened to the wall. Fraser Wood Siding's finish is a breathable coating that allows for the transfer of moisture in and out of the siding. Wet siding will expand across the width.

Fraser Wood Siding strictly adheres to the production procedures to deliver exceptional quality wood siding that meets or exceeds industry standards. **If for any reason, you encounter any unsatisfactory product, please call Fraser Wood Siding @ 1-866-630-2495 PRIOR TO INSTALLATION.**

FRASER WOOD SIDING SHALL NOT BE RESPONSIBLE FOR PROBLEMS CAUSED BY IMPROPER STORAGE OR HANDLING.

FRASER WOOD SIDING does not warranty the installation of its product. It is the installer's responsibility to ensure the siding is installed according to this guide, failure to adhere to the installation instructions may void the warranty.



Exceptional Beauty. Uncompromised Quality.

Getting Started

Wall Preparation – Fraser Wood Siding Evolution should be installed over a standard 16" o/c stud wall with Plywood or OSB sheathing and an approved house wrap. There must be a minimum of ½" air space between the siding and sheathing. It is the installer's responsibility to ensure proper drainage and air flow (see ventilation below). **1X4 kiln dried lumber is recommended as furring strips.**

If you are installing over **rigid foam** it is mandatory to use **Full 1" thick (minimum) KD furring strips.**

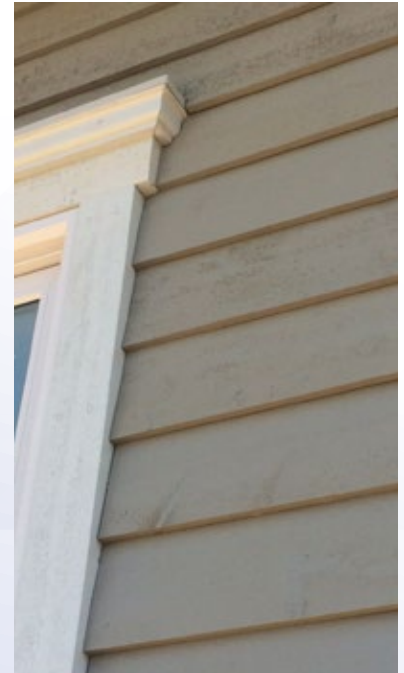
Ventilation

(Sec 1) Siding being installed horizontally

The following procedures must be followed to ensure performance as well as maintain the Fraser Wood Siding warranties.

1. The strapping must be kiln dried and installed to allow air flow and drainage from the bottom of the wall. It must also allow for the air to vent out at the top of the wall. In all cases the Siding can be vented into the soffit OR a 3/8" exhaust (with bug screen) can be left at the top of the wall, below the soffit.
2. Over windows, doors and other permanent structures attached to the home (ex. Stone, Brick, decks, etc.) there must be a minimum of 3/8" gap (capillary break) between the flashing and siding with the proper ventilation as described in section 1 (one).
3. To prevent insects from nesting behind the siding a Starter strip or bug screen must be installed at the bottom and top (exhaust) of the wall (the only exception is at the top of the wall if it is vented into the soffit).

USING A FURRING STRIP HORIZONTALLY AT THE BASE WILL SEVERLY LIMIT VENTILATION AND DRAINAGE AND WILL VOID THE WARRANTY.





Exceptional Beauty. Uncompromised Quality.

Ventilation (continued)

(Sec 2) Siding being installed vertically

Full 1" thick (minimum) kiln dried strapping is mandatory for any vertical application.

FOR BEST PERFORMANCE – Install strapping at a 45° angle at 12" o/c or double strap (use standard strapping vertically and double strap with 1" on the horizontal).

Strapping can also be installed horizontally so long as there are 1/2" drainage slots every 48" between studs.

When installing Evolution vertically starter strip can be used. Insert the end-matched groove into the starter strip to eliminate face nailing. It is important to note that because full 1" thick (minimum) strapping is required you will also need a bug screen.

IMPORTANT!!

If a horizontal strapping is placed at the bottom of the wall and prevents proper drainage and air flow, or if the top is not properly vented, ALL FRASER WOOD SIDING WARRANTIES WILL BE VOID.

IMPORTANT!!

END MATCH TONGUES MUST FACE UP (TOWARD THE TOP OF THE WALL) IN VERTICAL INSTALLATION OR ALL WARRANTIES WILL BE VOID.



Exceptional Beauty. Uncompromised Quality.

Laying Out Your Wall

The tally of your Evolution Series range from 4' to 16', boards measuring 4' – 10' should be installed between boards measuring 11'-16'. **NEVER PLACE BOARDS 12' OR LONGER END TO END.**

When installing the product always ensure the joints are staggered across the wall.

Starter Course

The starter course can be installed in the following two ways.

1. When using $\frac{3}{4}$ " strapping use the FRASER WOOD SIDING Starter strip as the starter course. This will allow the recommended air flow, prevent insects from nesting behind the siding and eliminates the need for face nailing – **ensure the starter strip is installed level.** Starter Strips will ensure the siding is overhanging the furring strips to ensure proper rain runoff. The starter course is nailed on the top nailing line. The starter course must be a minimum of 8" from the ground.
2. Use Fraser Wood Siding skirt board – Evolution is designed to work with the Standard skirt board, just overlap the top and face nail the bottom of the piece as well as on the nailing line. This only needs to be done with the first row.

Once the starter course is in place continue on placing boards tightly together on both the horizontal and end joints. It is recommended that when aligning the top of the boards you never allow more than 1/8" separation from the proceeding row.

When installing, check each third or fourth row to verify the siding is being installed level. If you find the siding is not running level adjust the proceeding rows (not more than 1/16"/row) until the siding has returned to level.

End Joints

When installing Fraser Wood Siding Evolution Series the end joints do not need to be cut and can fall anywhere between the furring strips.

When ending a row cut the siding as needed and use the remaining piece to start the next row. **Any time you cut the siding, whether it will be visible or not, it is mandatory to paint the exposed wood fiber, failure to do this will void the warranty.**

No caulking is recommended on the end match joints, where the siding meets the trim we recommend a high quality clear latex caulking as needed.



Exceptional Beauty. Uncompromised Quality.

Nailing Instructions

Fraser manufactures three types of fasteners that are acceptable for installing Evolution

- 2" Stainless Steel Staples *
- 2" Ringed Nails
- 2" Coil Nails

Both nails are color matched as standard.

*Install two (2) staples at each connection point approximately 1/2" apart.

Staples and Nails are to be installed on the nailing line 1/2" from the top edge at a 20 degree angle into a minimum of 1" of solid wood, nails/staples are to be driven flush - **DO NOT over drive the nails/staples. If the nail/staple is driven above the line the siding may split and if driven below the line may be visible.**

IMPORTANT!!

Fraser Staples or Nails are required to maintain warranty.

Typical Installations

Figure 8
Typical corner & trim details

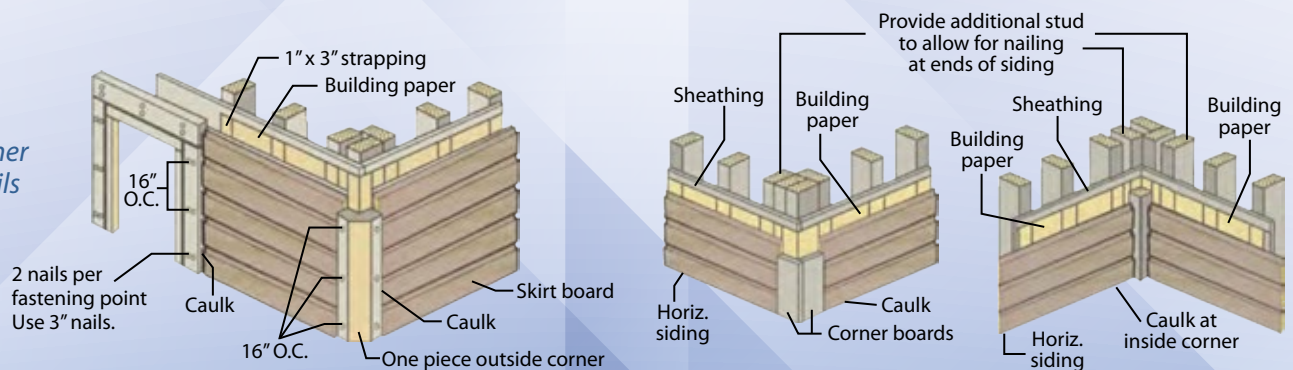
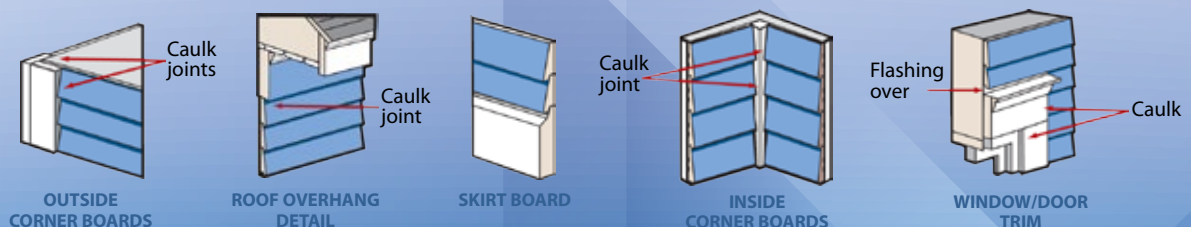


Figure 9
Typical trim details



Exceptional Beauty. Uncompromised Quality.

Figure 10
Typical dormer detail

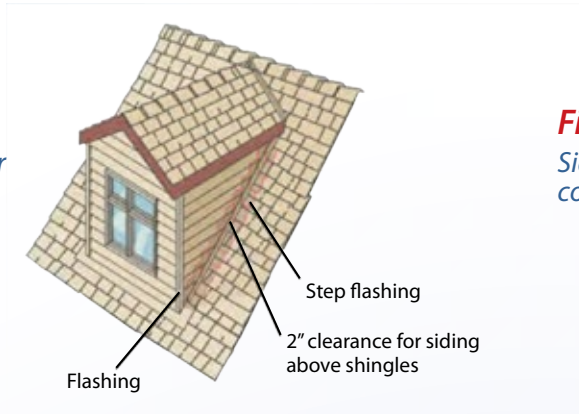
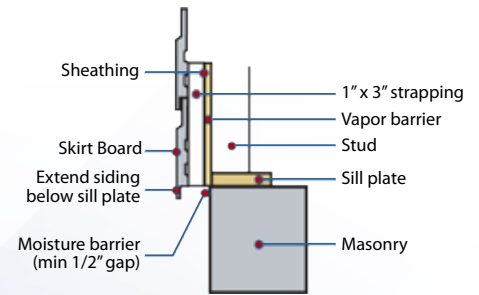


Figure 11
Siding must not contact masonry



IMPORTANT!!

APPLICATION OF PRODUCT CONSTITUTES ACCEPTANCE OF CONDITION OF PRODUCT.

Final Notes

1/16" to 1/8" variance in height is considered normal.
 Siding must be a minimum of 8" off the ground
 Siding must be a minimum of 2" from roof shingles
 Space siding or skirt board min. 1/2" away from any masonry or stone
 The following must be sealed using Fraser Wood Siding Touch up paint

- Minor scrapes and damage created during installation
- All cut ends
- Large wood surfaces created by ripping and mitering

Eastern White Cedar Shingles Installation Guide

Installing Eastern White cedar shingles is a relatively simple process. However, to get the most out of your shingles, you must follow a few simple guidelines. Installation techniques vary from new homes to renovations, from walls to roofs. Just follow the steps outlined on the following pages and you're set.

STEP 1

FIRST, CHOOSE THE RIGHT TYPE OF SHINGLE...

Grade	Characteristics	Recommended Use
A (Extra) Blue packaging	<ul style="list-style-type: none"> Pale color Premium Quality No imperfections (clear wood, no knots) Clear heartwood 	<ul style="list-style-type: none"> Siding Roofing Suited for harsh climactic conditions Highly resistant and durable
EXTRA		
B (Clear) Red packaging	<ul style="list-style-type: none"> Rich color Standard quality No knots on exposed face (6" of exposed surface) 	<ul style="list-style-type: none"> Siding Steep sloped roofs Interior and exterior designs
CLEAR		
C (2nd Clear) Green packaging	<ul style="list-style-type: none"> Beige to brown color Economical shingle Sound knots on exposed face (6" of exposed surface) Rustic appearance 	<ul style="list-style-type: none"> Siding Interior and exterior designs Secondary building walls
2nd CLEAR		
D (Special) Green packaging	<ul style="list-style-type: none"> Width of 3" to 6" Variable color Acceptable defects on full surface 	<ul style="list-style-type: none"> Starter course (undercourse) and siding Rustic interior decoration Varied secondary use
SPECIAL		

* FWS only uses the best grades for our stained products.

Note : Grades A, B and C are available in two categories: (R) Regular; (R&R) Resquared and Rebutted.

... AND THE RIGHT NAILS

It is important to choose the nail that's appropriate for each job. Only rust-resistant galvanized nails will help maximize the life and appearance of your shingles.

Renovations	New construction
1-3/4" (4.5 cm) nails, 14 gauge	1-1/4" (3.2 cm) nails, 14.5 gauge



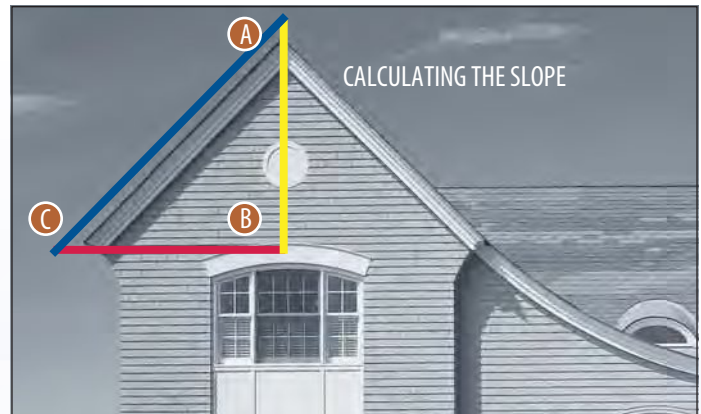
14 gauge nail



14.5 gauge nail

THEN, BE SURE TO CALCULATE HOW MUCH YOU'LL NEED

To calculate the number of squares needed for your project, you'll need to measure the number of square feet and to decide on the exposure. A standard package of cedar shingles covers 25 ft² (2.3 m²) with a 5 inch (12.5 cm) exposure. The unit used to measure shingles is called a square (1 square = 4 boxes of shingles).



STEP 2

CALCULATING THE SLOPE

When used on roofs, the exposure will vary according to the slope of the roof. The steeper the slope, the greater the exposure, and vice versa.

To calculate the slope of the roof, divide the distance between points **A** and **B** (height) by the distance between points **B** and **C**

≤ 1 : 4	or 25 % or 14°	Do not use cedar shingles
≥ 1 : 3.75	or 27 % or 15°	
≤ 1 : 3	or 33 % or 18°	Maximum exposure = 4" (10 cm)
> 1 : 3	or 33 % or 18°	Maximum exposure = 5" (12.5 cm)

Note : A good shingle roof must be at least three shingles thick. The illustrations on the following pages are for comprehension only.

STEP 3

CALCULATING THE QUANTITY FOR A WALL OR A ROOF

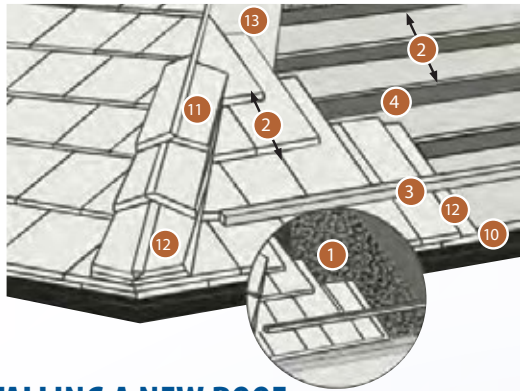
The total area to be covered divided by the corresponding area covered by each square gives us the approximate number of squares needed. To get better performance from your roof, you can always use a smaller exposure. Since the vertical surface of a wall is less exposed to climactic conditions, you can operate with a wider exposure.

Below are several examples of the area covered by one square of shingle with different widths of exposure.

Quantity	Width of exposure	Area covered
One square	4" (10 cm)	80 ft ² (7.3 m ²)
One square	5" (12.5 cm)	100 ft ² (9.3 m ²)
One square	6" (15 cm)	120 ft ² (11.2 m ²)

Note : Please include a 5% margin of error in all calculations.

Exceptional Beauty. Uncompromised Quality.

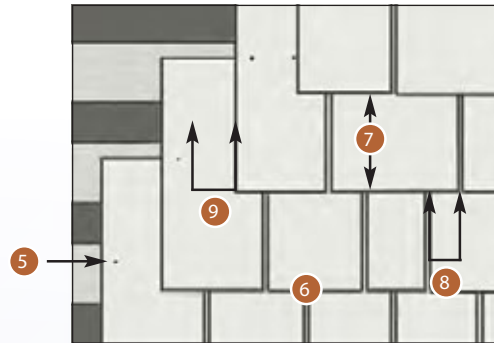


INSTALLING A NEW ROOF

It's very important to have air circulating behind the shingles, not just an air space.

- 1 Shingles must always be nailed to 1" x 3" (2.75 cm x 7.5 cm) wooden laths or a Cedar Breather® type product, installed according to the instructions included.
- 2 The distance between the centers of the laths must be equal to the width of the exposure.
- 3 To align the shingles, tack a board temporarily to the roof or draw a straight chalk line.
- 4 In areas with harsh climactic conditions, the lath or the Cedar Breather® must be fixed to a wallboard that is covered with a vapor barrier and insulated on the underside by foam or a rigid insulator.
- 5 Place 2, 3/4" (2 cm) nails from each edge of the shingle and 1-1/2" (4 cm) nails above the exposure.
- 6 Depending on the degree of humidity of the shingles, allow an 1/8" to 1/4" (3 mm to 6 mm) space between each shingle for expansion, to avoid buckling.
- 7 Never have the joints of two shingles in line if they are separated by only one course of shingles.
- 8 Keep at least 1-1/2" (4 cm) space between the joints in successive courses.
- 9 Knots and other imperfections in the shingles must be treated as edges of shingles. Joints must be placed in alternating rows, at least 1-1/2" (4 cm) from the start of the imperfections.
- 10 To ease the flow of water into the eaves, allow the first row of shingles to protrude at least by 1-1/2" (4 cm) above the first roof board.
- 11 For the ridge of the roof, choose shingles of the same width, between 4" to 5" (10 cm and 13 cm), and install them by alternating from one side to the other, from one row to the next.
- 12 The first row of shingles and the ridge of the roof must be two shingles thick.
- 13 For roofs with slopes of less than 45%, the metal base – which is installed under the shingles – must cover at least 10" (25 cm) of the ridge or the valley. For roofs with slopes of more than 45%, the metal base must cover at least 7" (18 cm) of the ridge or the valley.
- 14 Be sure to finish all peaks with an air vent, such as Roll Vent®, to allow circulation underneath the shingles.

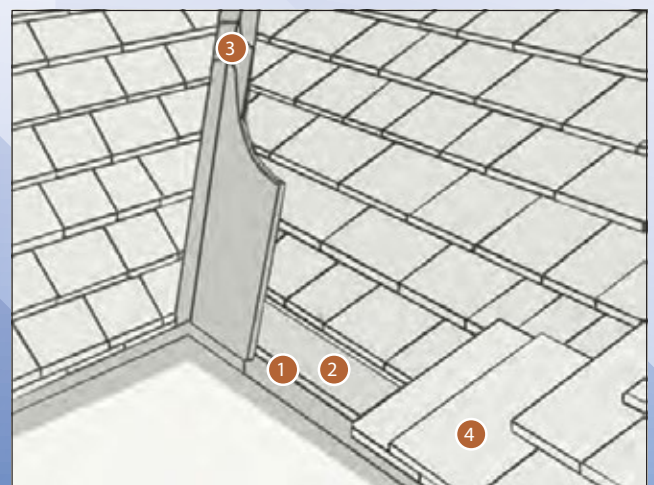
DETAILS ON ALIGNING SHINGLES



RENOVATING A SHINGLE ROOF

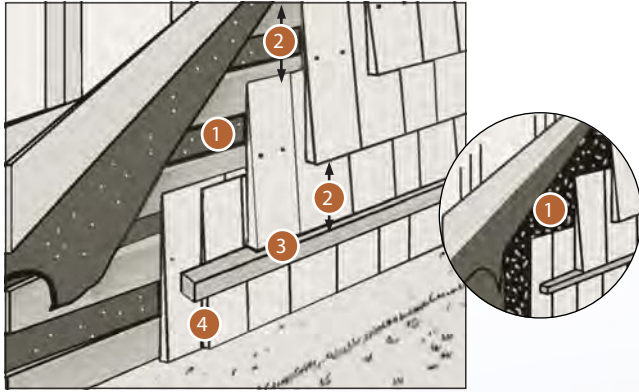
Renovating a shingle roof brings with it many advantages. It provides a double roof with extra insulation that protects against excess heat and cold. Plus, your house is always covered if a storm should arrive while you're working on the roof.

- 1 Start by removing the first row of shingles at the base, the sides and the ridge of the roof. Doing this will remove a 6" (15 cm) section which will be covered later.
- 2 Cover the newly-exposed areas by nailing down cedar boards. For the ridge of the roof, use beveled cedar siding.
- 3 Nail down cedar boards to the inside of the valleys. This will separate the old metal from the new.
- 4 Install the new shingles directly to the cedar boards and the old shingles which form a flat base for the new roof.
- 5 - 9 Follow the same steps as indicated in the previous section.



Note : The metallic weather sealing strips in sloping joints, above doors, windows and chimneys, must conform to construction industry standards.

Exceptional Beauty. Uncompromised Quality.



INSTALLING SHINGLE WALLS

The technique used to install white cedar shingles on walls is much like the one used on roofs – only simpler! While roofing shingles have a precise exposure according to the slope of the roof, the exposure on wall shingles can be much greater, as walls are less subject to climactic conditions.

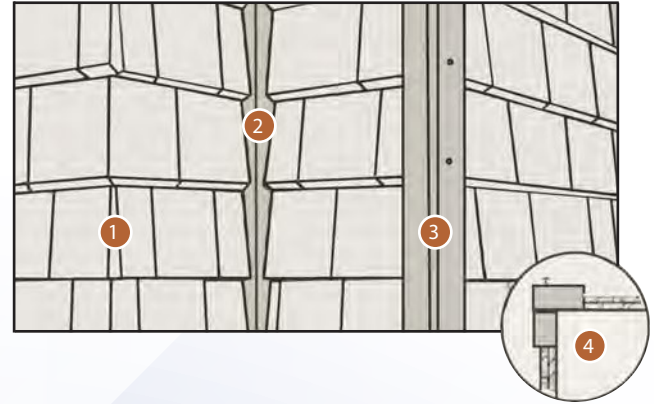
On walls, the exposure for Grade A white cedar shingles can be up to 8" (20 cm)*, and 6" (15 cm) for grade B and C shingles.

- 1 Shingles are always nailed to 1" x 3" (2.5 cm x 7.5 cm) wooden laths or a Cedar Breather® type product fixed directly to the frame or the existing wall covering.
- 2 The distance between the centers of the laths must be equal to the exposure of the shingles.
- 3 To align the shingles, tack a board temporarily to the wall or draw a straight chalk line.
- 4 The first row must always be two shingles thick, and must protrude at least 1" (2.5 cm) from the top of the foundation, to ensure against water infiltration between the bottom of the wall and the foundation.
- 5 - 9 Follow the same steps as indicated in the first section.

Note : The metallic weather sealing strips above openings (doors, windows, etc.) must conform to construction industry standards.

* CSA standard 0118-3-94 allows 8" (20 cm) exposure. At FSP, we strongly recommend a 6" (15 cm) maximum exposure.

* Exposed wood must be touched up with 2 coats of touch up stain.



FINISHING CORNERS

The interior and exterior corners of shingle walls are easy to complete. Using corner boards is both as effective and aesthetically pleasing as weaving the shingles.

- 1 The standard practice for completing interior and exterior corners is to alternate the overlapping of the corner shingles. Each shingle will be slightly larger than the corner, but this can be trimmed and fine-tuned at the end of the job.
- 2 The interior corner is created by nailing a 1-3/4" (4 cm) square cedar strip to the metal valley, onto which the shingles can be adjusted. The metal valley must be at least 7" (18 cm) larger than each side of the joint.
- 3 Interior and exterior corners can also be created by nailing cedar boards to the ridge on which the shingles will be adjusted.
- 4 Use boards a varying widths to obtain a symmetric corner.

IDEAL FOR ALL WEATHER CONDITIONS



White cedar from Eastern Canada has a unique cellular structure that is particularly suited to areas with harsh climates. Cedar is well recognized for its insulating, aesthetic and long-lasting qualities. It stands up well to strong winds, needs little maintenance and has a remarkably long life.

Eastern White cedar shingles age well, and are generally left unfinished, in their natural state. Over time, they take on a beautiful silver-gray color much appreciated and sought after by connoisseurs. Interesting visual effects can be achieved by applying different stains to accentuate architectural features. Cedar shingles can also be treated to maximize their life. At Fraser, we use a unique "Flow-Thru"™ process, where all six sides of each and every shingle are covered, for maximum protection.

Note : The information contained in this brochure is as accurate as possible. However, Fraser absolves itself of all responsibility with regard to damage or prejudice resulting from the use of this brochure.



Exceptional Beauty. Uncompromised Quality.

OUR SHINGLES ARE COATED ON ALL SIX SIDES!

After the kiln-drying period, shingles pass through our in-plant staining machines, using the "Flow-Thru™" process. The result – the ultimate in wood care and protection. Your shingles arrive at the site ready to go! No scheduling or weather-related delays, no overspray, dripping, splattering or clean-up problems.

R&R SHINGLES – DOUBLE THE ADVANTAGES

RESQUARED, to eliminate on-site shaving and to save time. REBUTTED, to ensure an impeccable finish and outstanding aesthetic qualities. Manufactured according to the highest industry standards, in full compliance with CSA 0118-2-94 and CSA 0118-2M-1994 norms, R&R shingles are available in Grades A, B, or C, green or kiln-dried. R&R shingles are also the widest shingles on the market. That translates to shorter installation time and increased savings for you!



Premium (A-Extra)
The best grade of shingle available, clear lumber, no imperfections,
 Rebutted and re-squared. 3 1/2" - 12" with an average of 6"



Select (B-Clear)
Imperfections (Small knots) on non-exposed parts,
 Rebutted and re-squared. 3 1/2" - 12" with an average of 6"



Estate Series
Premier Quality - Kiln Dried
Up to 7" exposure
 Available in Eastern White and Western Red Cedar



Exceptional Beauty. Uncompromised Quality.

Index

Classic Series:

1 x 4 Bevel	1
1 x 6 Bevel	2
1 x 6 V-Joint	2
1 x 6 Channel	3
1 x 6 Cove	3
1 x 8 Cove	4
1 x 8 Channel	4
1 x 8 Bevel	5
1 x 8 Euro-V	6
1 x 8 Neo	6
Board & Batten (vertical installation)	7

Evolution Series:

1 x 6 Bevel	8
1 x 6 Neo	8
1 x 6 Euro-V	8
4" Euro-V / Porch Ceiling Profile	9

Fraser Trim:

Inside Corner Trim	10
Inside or Outside Corner Trim	10
Inside and Outside Corner Trim	10
Window Trim	10
Victorian Trim	11
Skirt Board, Fascia Trim	11

Designer Trim:

Header Trim	12
EZ Corner	13
Crown Molding	14
Casing	15
Window Sill	16



F R A S E R
W O O D S I D I N G™

Exceptional Beauty. Uncompromised Quality.

Bevel

Classic Series

1" x 4" Bevel

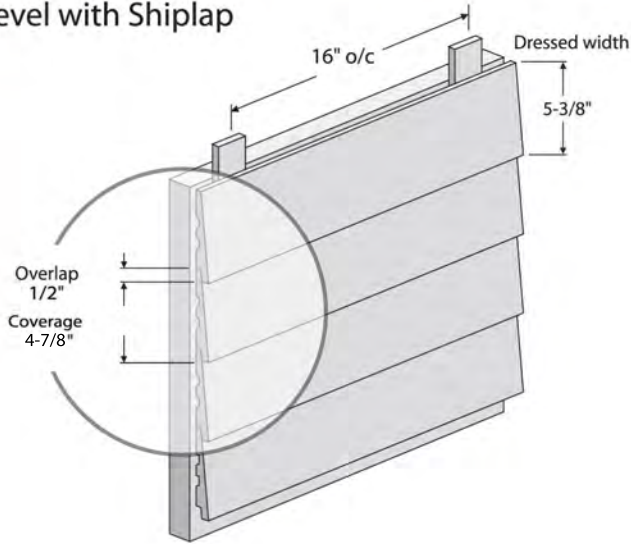
Dimensions	
Overlap :	1/2 "
Dressed width :	3-3/8"
Coverage :	2-7/8"



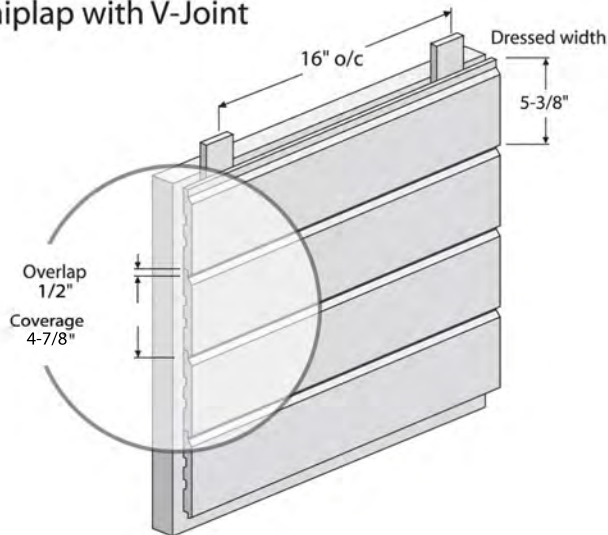
F R A S E R
W O O D S I D I N G™

Exceptional Beauty. Uncompromised Quality.

Bevel with Shiplap

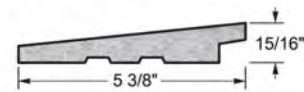


Shiplap with V-Joint



Classic Series

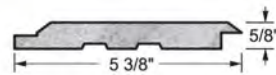
1" x 6" Bevel



Dimensions

Overlap :	1/2"
Dressed width :	5-3/8"
Coverage :	4-7/8"

1" x 6" V-Joint



Dimensions

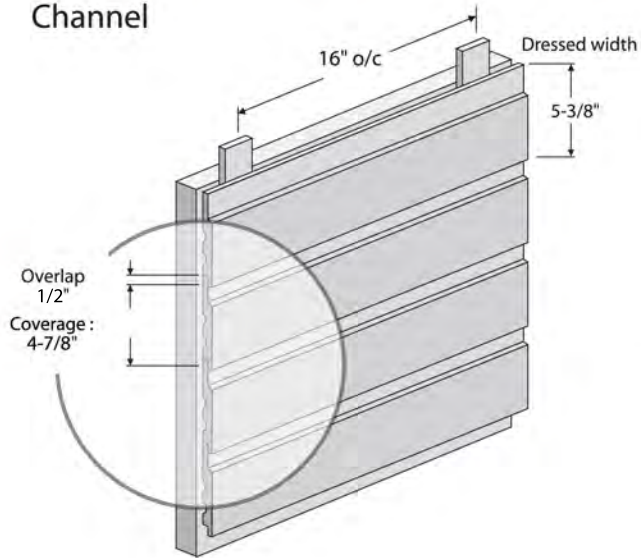
Overlap :	1/2
Dressed width :	5-3/8"
Coverage :	4-7/8"



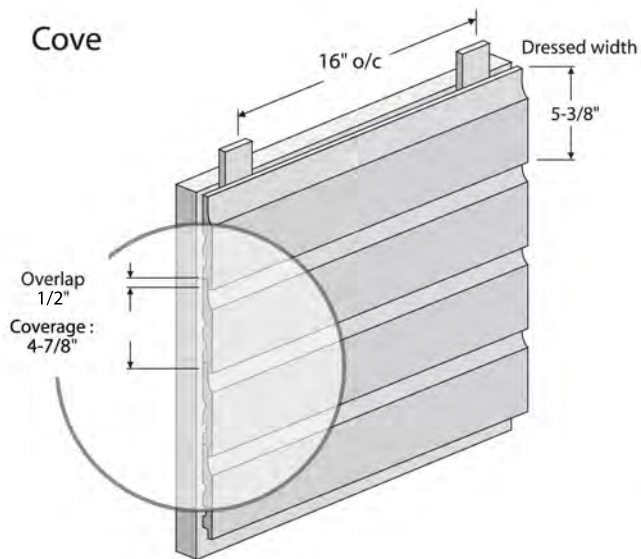
F R A S E R
W O O D S I D I N G™

Exceptional Beauty. Uncompromised Quality.

Channel

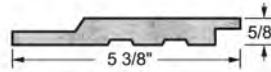


Cove



Classic Series

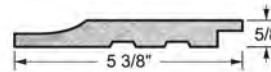
1" x 6" Channel



Dimensions

Overlap :	1/2"
Dressed width :	5-3/8"
Coverage :	4-7/8"

1" x 6" Cove



Dimensions

Overlap :	1/2"
Dressed width :	5-3/8"
Coverage :	4-7/8"



F R A S E R
W O O D S I D I N G™

Exceptional Beauty. Uncompromised Quality.

Classic Series	
<div style="display: flex; flex-direction: column; align-items: flex-start;"> <div style="margin-bottom: 20px;"> <p>Cove</p> </div> <div> <p>Channel</p> </div> </div>	
1" x 8" Cove	
Dimensions	
Overlap :	1/2"
Dressed width :	7-1/8"
Coverage :	6-5/8"
1" x 8" Channel	
Dimensions	
Overlap :	1/2"
Dressed width :	7-1/8"
Coverage :	6-5/8"



F R A S E R
W O O D S I D I N G™

Exceptional Beauty. Uncompromised Quality.

Bevel

Classic Series

1" x 8" Bevel

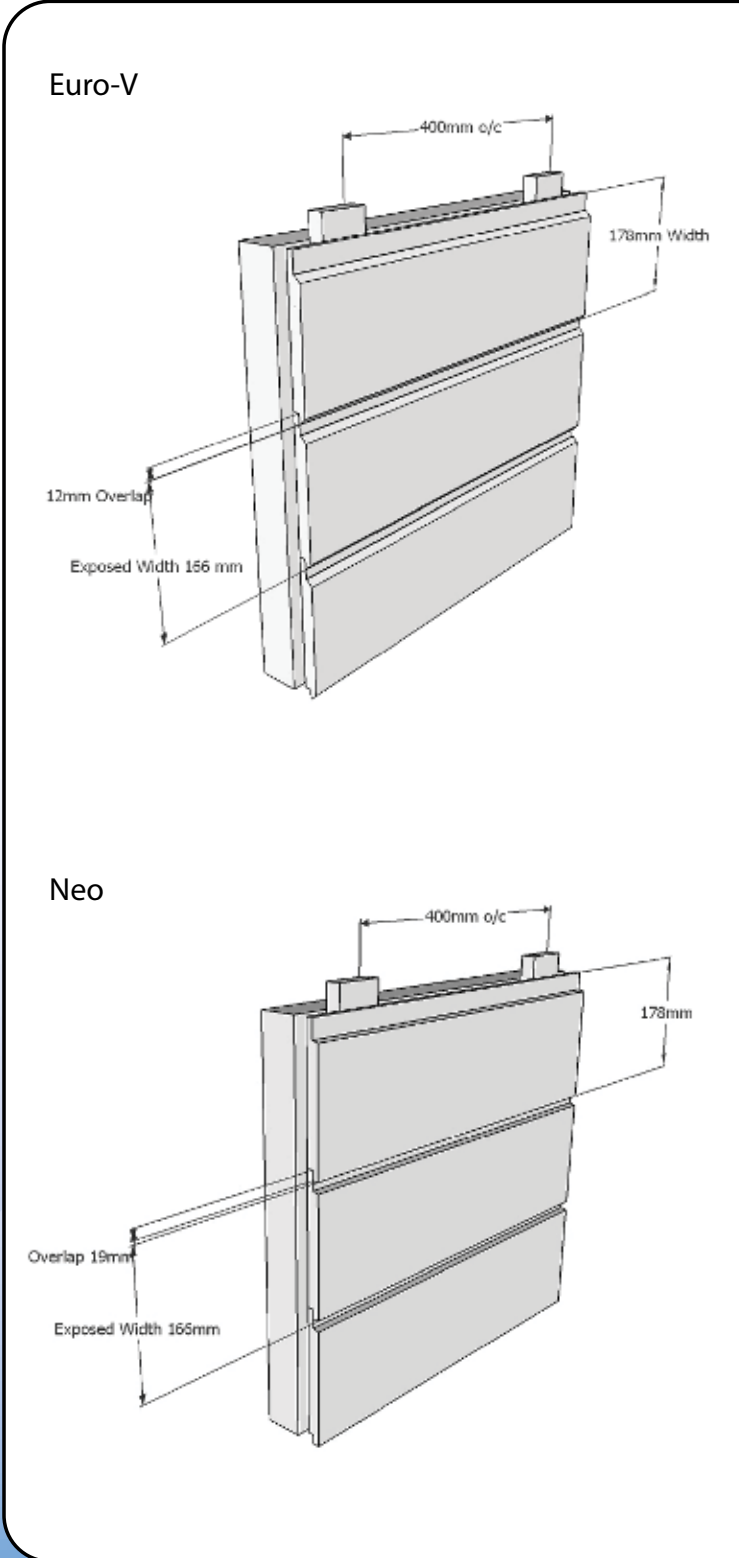
Dimensions

Overlap :	1/2"
Dressed width :	7-1/8"
Coverage :	6-5/8"



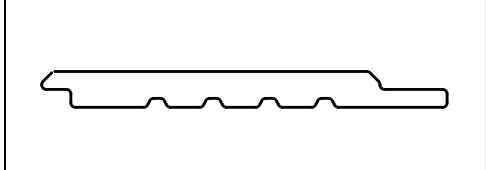
F R A S E R
W O O D S I D I N G™

Exceptional Beauty. Uncompromised Quality.



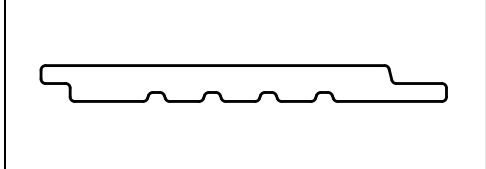
Classic Series

1" x 8" Euro-V



Dimensions	
Overlap :	12mm
Dressed width :	178mm
Exposed width :	166mm

1" x 8" Neo



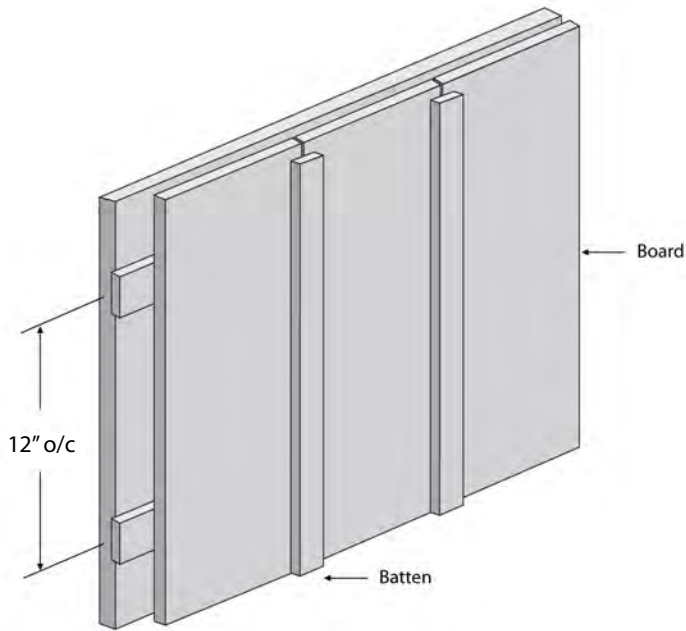
Dimensions	
Overlap :	19mm
Dressed width :	178mm
Exposed width :	166mm



F R A S E R
W O O D S I D I N G™

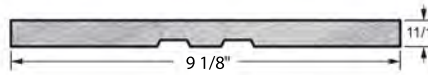
Exceptional Beauty. Uncompromised Quality.

Board & Batten
(vertical installation)



Classic Series

Board



Dimensions

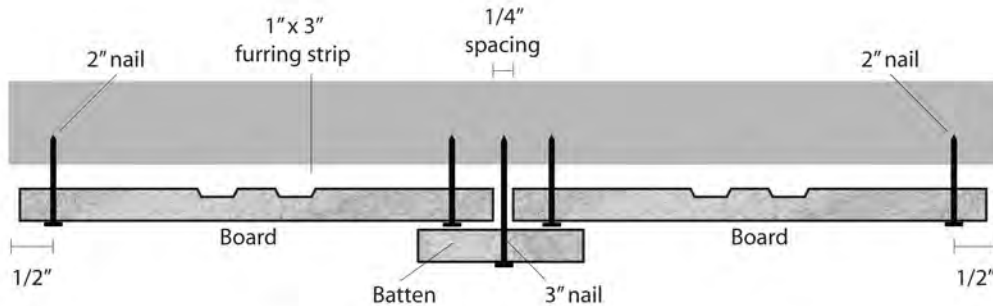
Thickness :	11/16"
Dressed width :	9-1/8"
Coverage :	9-3/8"

Batten



Dimensions

Thickness :	11/16"
Width :	1-5/8"
Coverage :	1-5/8"



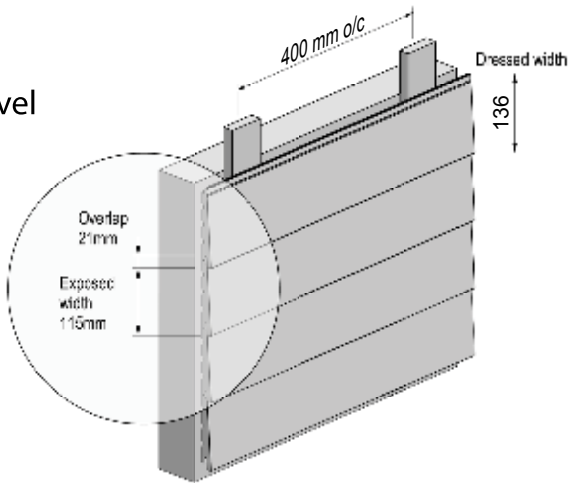


F R A S E R
W O O D S I D I N G™

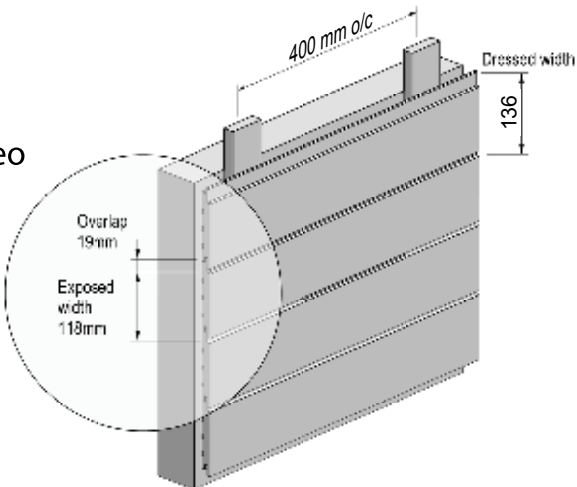
Exceptional Beauty. Uncompromised Quality.

Evolution Series	
1" x 6" Bevel	
Dimensions	
Overlap :	21mm
Dressed width :	136mm
Coverage :	115mm
1" x 6" Neo	
Dimensions	
Overlap :	19mm
Dressed width :	136mm
Coverage :	118mm
1" x 6" Euro-V	
Dimensions	
Overlap :	19mm
Dressed width :	136mm
Coverage :	118mm

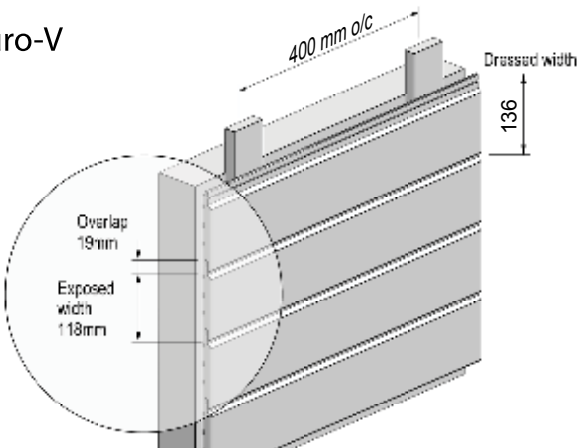
Bevel



Neo



Euro-V





F R A S E R
W O O D S I D I N G™

Exceptional Beauty. Uncompromised Quality.

Porch Ceiling

Evolution Series

1" x 4" Euro-V

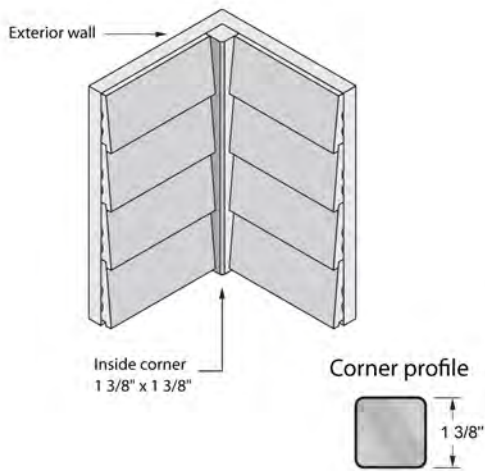
Dimensions	
Overlap :	19mm
Dressed width :	86mm
Exposed width :	67mm



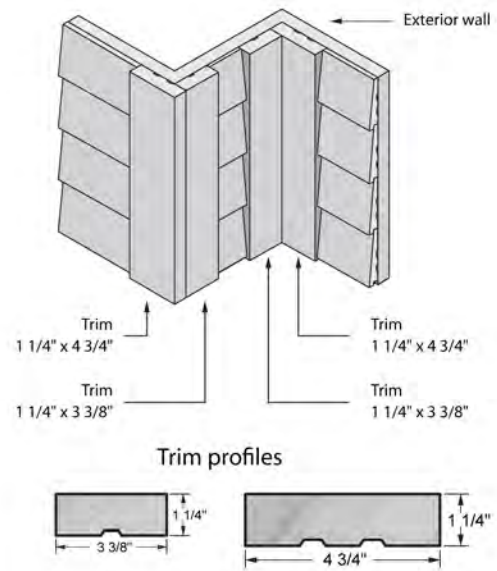
F R A S E R
W O O D S I D I N G™

Exceptional Beauty. Uncompromised Quality.

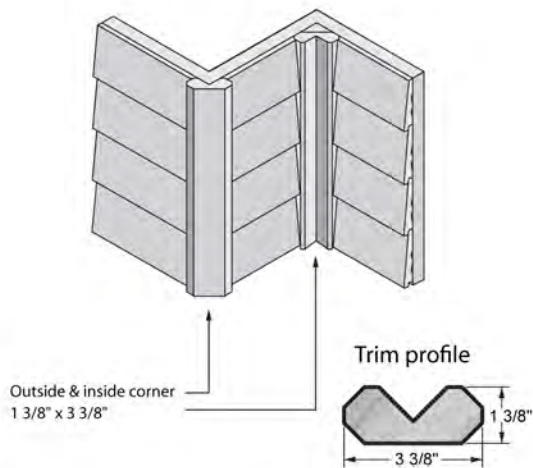
Inside corner trim



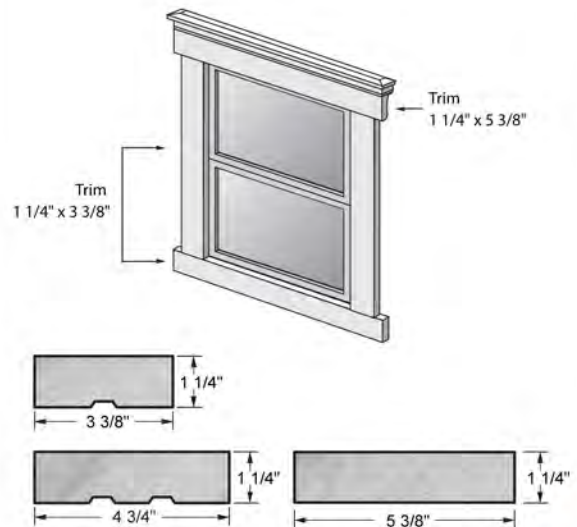
Inside or outside corner trim



Inside and outside corner trim



Window trim

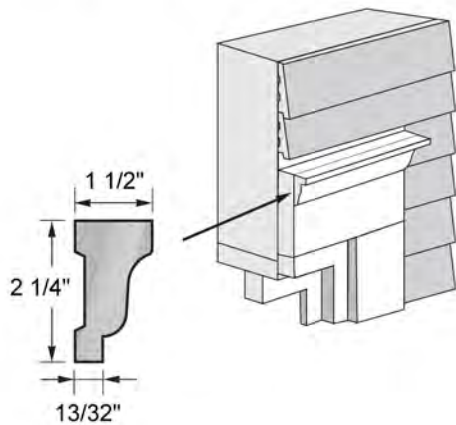




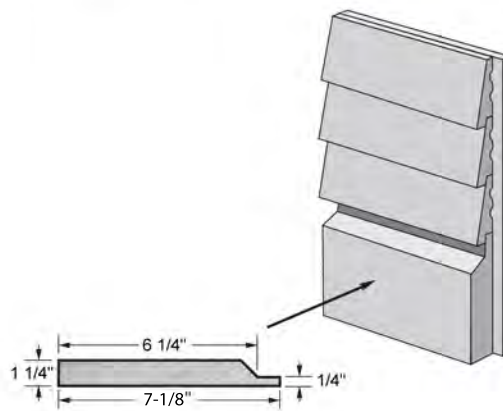
F R A S E R
W O O D S I D I N G™

Exceptional Beauty. Uncompromised Quality.

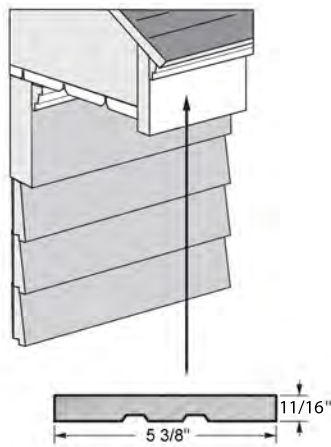
Victorian trim



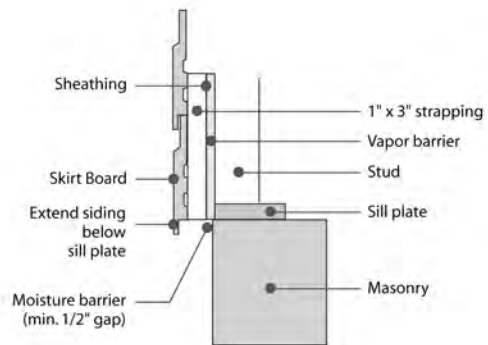
Skirt board



Fascia trim



**Skirt board -
 Installation on masonry**

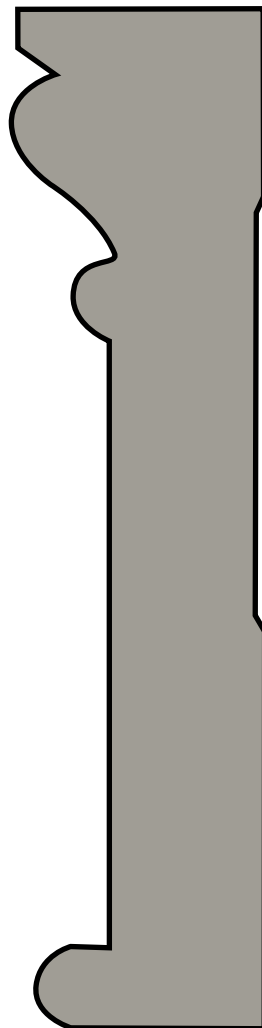




F R A S E R
W O O D S I D I N G™

Exceptional Beauty. Uncompromised Quality.

Header



6" Header

Dimensions

Thickness :	1 5/16"
Height :	5 1/4"

7" Header

Dimensions

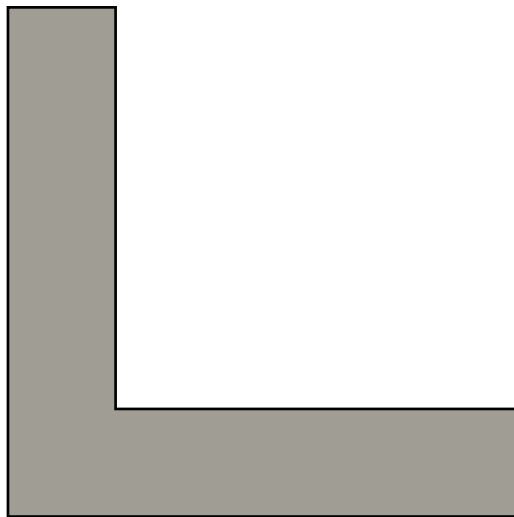
Thickness :	1 5/16"
Height :	6 1/4"



F R A S E R
W O O D S I D I N G™

Exceptional Beauty. Uncompromised Quality.

EZ Corner (1:2 scale)



EZ Corner

Dimensions

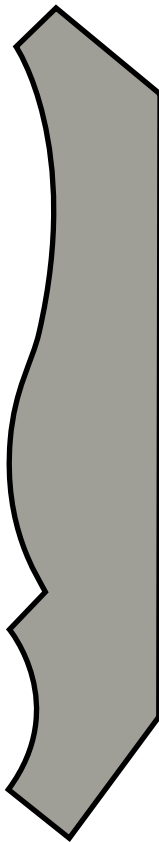
Thickness :	1 1/8"
Height :	5"



F R A S E R
W O O D S I D I N G™

Exceptional Beauty. Uncompromised Quality.

Crown



3" Crown

Dimensions

Thickness :	3/4"
Height :	3"

5" Crown

Dimensions

Thickness :	3/4"
Height :	4 1/4"

6" Crown

Dimensions

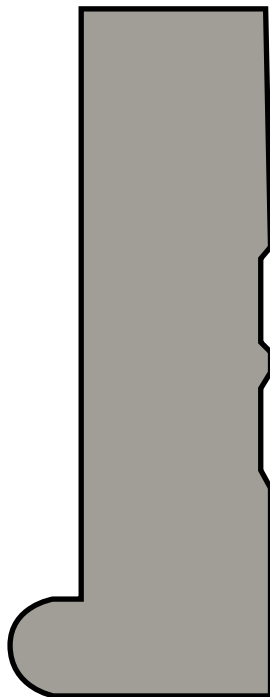
Thickness :	3/4"
Height :	5 1/4"



F R A S E R
W O O D S I D I N G™

Exceptional Beauty. Uncompromised Quality.

Casing



4" Casing

Dimensions

Thickness :	1 5/16"
-------------	---------

Height :	3 1/2"
----------	--------

6" Casing

Dimensions

Thickness :	1 5/16"
-------------	---------

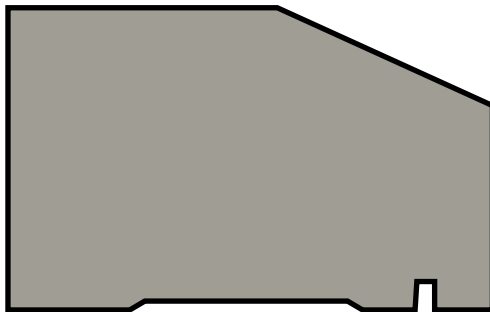
Height :	5 1/4"
----------	--------



F R A S E R
W O O D S I D I N G™

Exceptional Beauty. Uncompromised Quality.

2x3 Window Sill



2x3 Window Sill

Dimensions

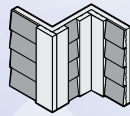
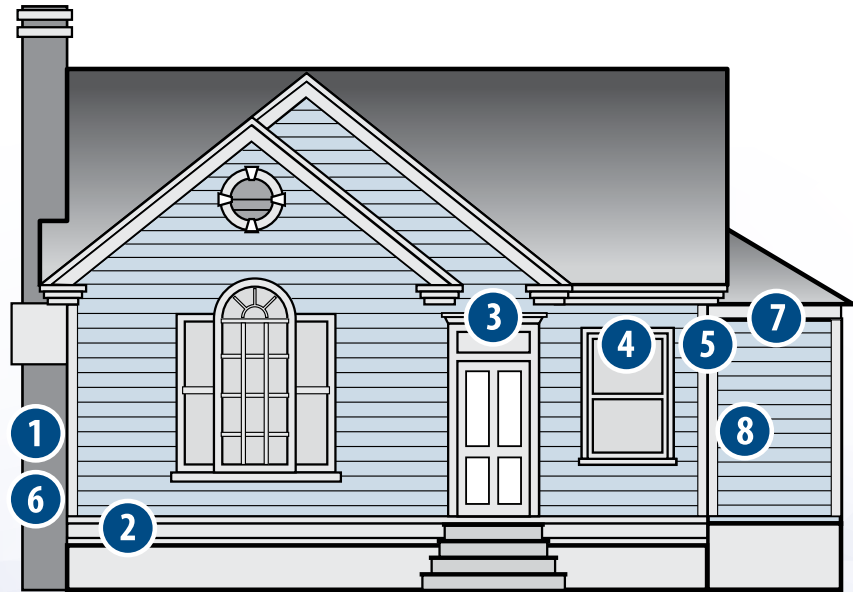
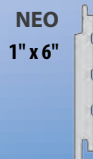
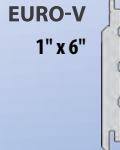
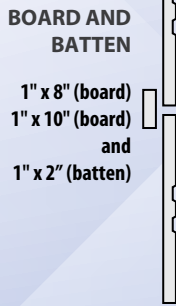
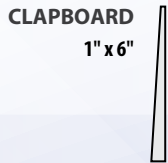
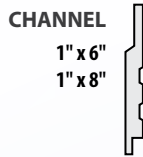
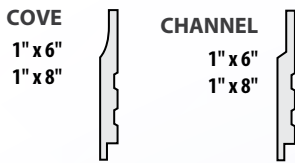
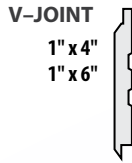
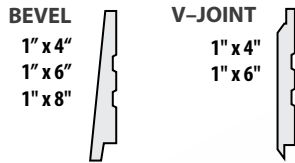
Thickness :	1 1/2"
Height :	2 1/2"



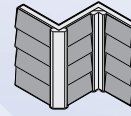
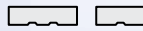
FRASER
WOOD SIDING™

Exceptional Beauty. Uncompromised Quality.

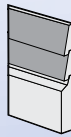
CLASSIC SERIES



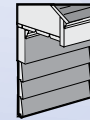
1 +
6 Inside or outside trim



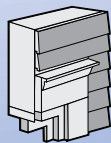
5 Inside and outside trim



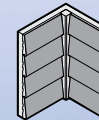
2 Skirt board



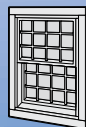
7 Fascia trim



3 Victorian trim



8 Inside trim



4 Window trim



We continue to provide builders, architects and contractors with premium wood siding and exceptional customer services, enabling them to specify Fraser Wood Siding with confidence.

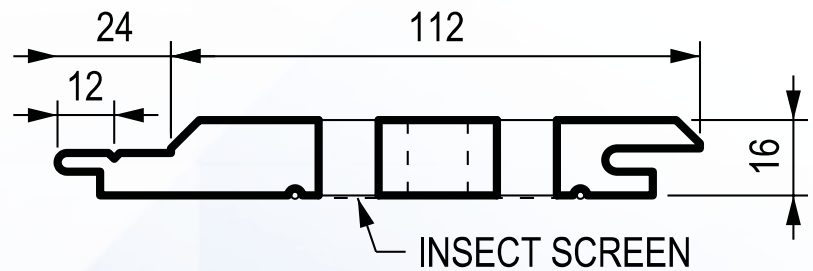


Exceptional Beauty. Uncompromised Quality.

6" Vented Soffit

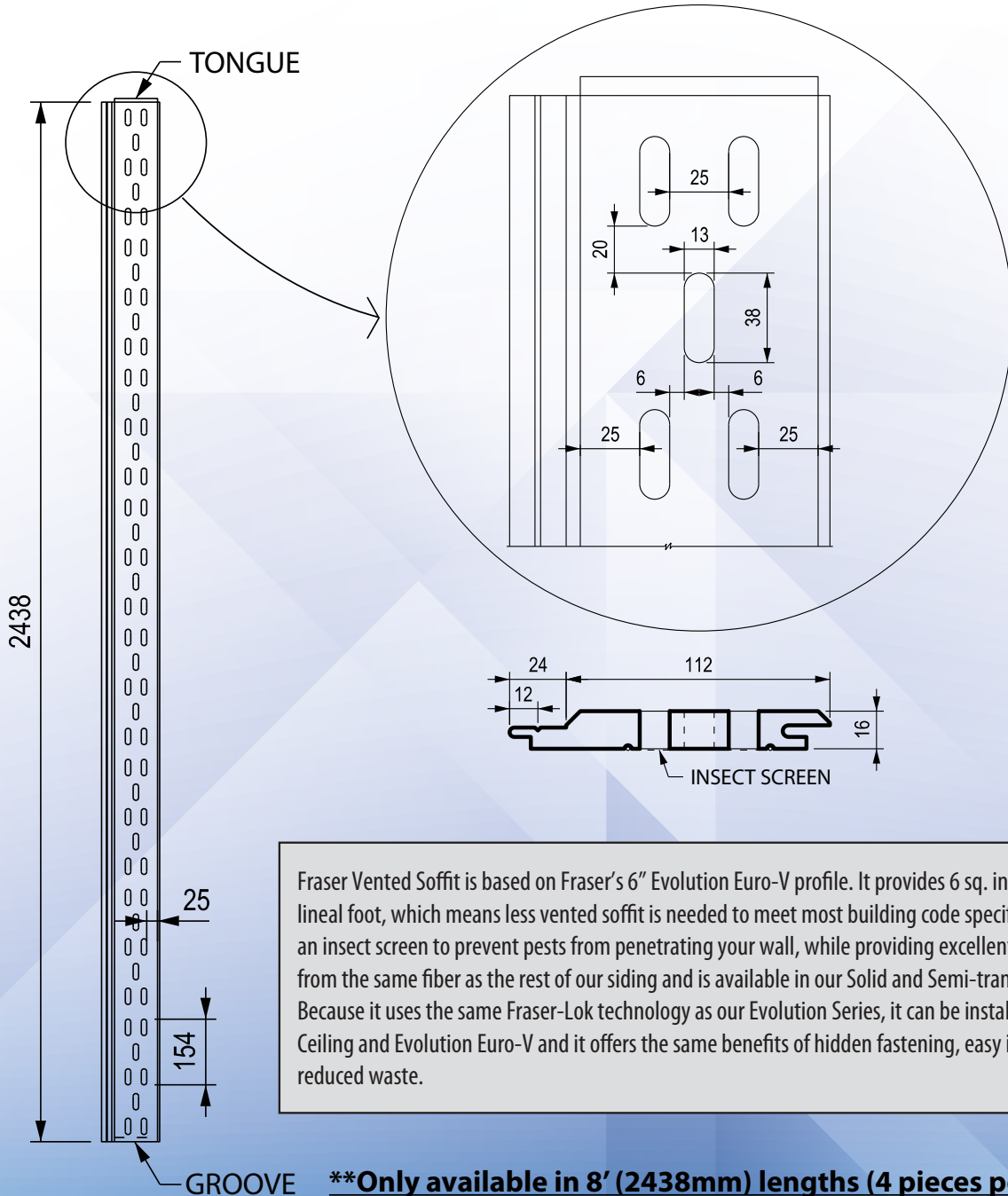
EVOLUTION
SERIES

- 6 sq. inches of ventilation per lineal foot
- Tongue and groove on all 4 sides
- 4 pieces (8' each)
- Fiberglass screening installed
- Ultra White
- 2 Coat Solid (Custom)
- Semi-Transparent





6" Vented Soffit Spec Sheet



Fraser Vented Soffit is based on Fraser's 6" Evolution Euro-V profile. It provides 6 sq. inches of ventilation per lineal foot, which means less vented soffit is needed to meet most building code specifications. It is fitted with an insect screen to prevent pests from penetrating your wall, while providing excellent airflow. It is made from the same fiber as the rest of our siding and is available in our Solid and Semi-transparent Collections. Because it uses the same Fraser-Lok technology as our Evolution Series, it can be installed with Fraser Porch Ceiling and Evolution Euro-V and it offers the same benefits of hidden fastening, easy installation, and reduced waste.

****Only available in 8' (2438mm) lengths (4 pieces per box)**



Exceptional Beauty. Uncompromised Quality.

1 Wood Siding Conversion Table Square Foot to LF

DIMENSION	NORMAL WIDTH	DRESSED WIDTH	EXPOSED WIDTH	CONVERSION FACTOR
1" x 4" (Classic)	4"	3 3/8"	2 7/8"	4.20
1" x 6" (Classic)	6"	5 3/8"	4 7/8"	2.46
1" x 6" (Evolution)	6"	5 3/8"	4 3/4"	2.56
1" x 8" (Classic)	8"	7 1/8"	6 5/8"	1.80
1" x 6" (clapboard)	6"	5 3/8"	4 3/8"	2.76
1" x 8" (board and batten)	8"	7 1/8"	7 3/8"	1.63
1" x 10" (board and batten)	10"	9 1/16"	9 3/8"	1.28

EXAMPLE : If you have 1,000 square feet to cover with 1" x 4", you'll need to use the conversion factor 4.20 and make the following calculation:
1,000 ft² x 4.20 = 4200 LF
 You'll need to add 5% for waste and trims. After the calculation you'll need to order 4410 LF.
 (Waste factor will vary depending on type of construction)

2 Color Match Painted Nails for Wood Siding - Quantity in LBS per 1000 LF

DIMENSION	SIDING PROFILE	NAILS LENGTH	LBS PER 1000 LF
1" x 4"	V-Joint (Classic)	2"	5
	Bevel (Classic)	2 1/2"	5
1" x 6"	Channel, Cove, V-Joint (Classic)	2"	5
	Bevel (Classic)	2 1/2"	5
1" x 8"	Channel, Cove, Euro-V, Neo (Classic)	2"	10 (double nailing)
	Bevel (Classic)	2 1/2"	10 (double nailing)
1" x 10" / 1" x 8"	Board & Batten (Classic)	2"	10 (double nailing)
1" x 2"	Board & Batten (Classic)	3"	5
1" x 6"	Bevel (Clapboard)	2"	5
1" x 6" (Evolution)*	Bevel, Neo, Euro-V	2"	5

*If installing Evolution siding with Fraser staples, use 1 box per 2000 LF
 To calculate the amount of coils require: (LFx 12) / 16 = # nails / 200 = # coils required
 Double the amount of coils for all siding that requires double face nailing.

3 Painted Nails for Trims & Mouldings - Quantity in LBS per 1000 LF

DIMENSION	SIDING PROFILE	NAILS LENGTH	LBS PER 1000 LF
2" x 4"	Inside Outside Corners and Trims	3"	10 (double nailing)
2" x 5"		3"	10 (double nailing)
2" x 6"		3"	10 (double nailing)
1" x 4"	Fascia	2"	10 (double nailing)
1" x 6"		2"	10 (double nailing)
1" x 8"		2"	10 (double nailing)
2" x 2"	Inside Corner	3"	5
2" x 4"		Inside Outside Corner	3"
2" x 3"	Victorian Moulding Window sill	2 1/2"	10 (double nailing)
2" x 8"	Skirt board, Moulding	3"	10 (double nailing)
2" x 10"		Moulding	3"



F R A S E R
W O O D S I D I N G™

Exceptional Beauty. Uncompromised Quality.

Customer name : _____ Date : (m/d/y) _____

Reference : _____

1 CHOICE OF SIDING & DIMENSIONS

Type of Siding : _____

Dimension : _____

CLASSIC
SERIES

	BEVEL	V-JOINT	COVE	CHANNEL	CLAPBOARD	BOARD & BATTEN	NEO	EURO-V
1"x 4"	•	•						
1"x 6"	•	•	•	•	•			
1"x 8"	•		•	•		•	•	•
1"x 10"						•		

EVOLUTION
SERIES

	BEVEL	NEO	EURO-V
1"x 6"	•	•	•

2 COLORS

Fraser Wood Siding offers Cabot's® full line of Factory Finish colors. These 97 colors are the basis for an unlimited selection of color combinations for your siding. Please refer to their website at www.cabotstains.com

Color Choice : _____

3 CALCULATION FOR AMOUNT OF WOOD REQUIRED

Calculation : _____ x _____ = _____ +5% = _____
total surface area conversion factor Total LF (loss as a results of cuts)

TOTAL QUANTITY TO ORDER		LF		
DIMENSIONS	WIDTH(RATED)	WIDTH(ACTUAL)	WIDTH (EXPOSED)	CONVERSION FACTOR
1"x 4" (Classic)	4"	3-3/8"	2-7/8"	4.20
1"x 6" (Classic)	6"	5-3/8"	4-7/8"	2.46
1"x 6" (Evolution)	6"	5-3/8"	4-3/4"	2.56
1"x 6" (Clapboard)	6"	5-3/8"	4-3/8"	2.76
1"x 8" (Classic)	8"	7-1/8"	6-5/8"	1.80
1"x 8" / 1"x 2" (Board & Batten)	8"	7-1/8"	7-3/8"	1.63
1"x 10" / 1"x 2" (Board & Batten)	10"	9-1/8"	9-3/8"	1.28

4 TRIMS

	DIMENSIONS	ACTUAL DIMENSION	QUANTITY	COLOR
1. Inside or outside trim	2"x4"	1-1/4" x 3-3/8" x 6ft. - 16ft.		
2. Skirt Board	2"x8"	1-1/4" x 7-7/8" x 6ft. - 16ft.		
3. Victorian trim	2"x3"	1-1/2" x 2-1/4" x 6ft. - 16ft.		
4. Window trim	2"x6"	1-1/4" x 5-3/8" x 6ft. - 16ft.		
5. Inside and outside trim (A)	2"x4"	1-3/8" x 3-3/8" x 6ft. - 16ft.		
6. Inside and outside trim (B)	2"x5"	1-1/4" x 4-3/4" x 6ft. - 16ft.		
7. Fascia trim	1"x6"	5/8" x 5-3/8" x 6ft. - 16ft.		
8. Interior trim	2"x2"	1-3/8" x 1-3/8" x 6ft. - 16ft.		

5 ACCESSORIES

	RECOMMENDED QUANTITY	QUANTITY	COLOR
2 1/2" Nails	4"/6" Siding: 5lbs per 1000LF 8"/10" siding: 10lbs per 1000LF		
3" Nails	Batten: 5lbs/1000LF Trim: 10lbs/1000LF		
2" SS Staples (Evolution only)	1 box per 2000LF		N/A
Retouch Stain*	Available in 1L and 20L		

*Stain for routine touch-ups is included in order. Order stain only if you anticipate needing more than normal.

*8" & 10" Profiles require double nailing. *Failure to provide proper airspace & ventilation may lead to poor performance and void warranties.